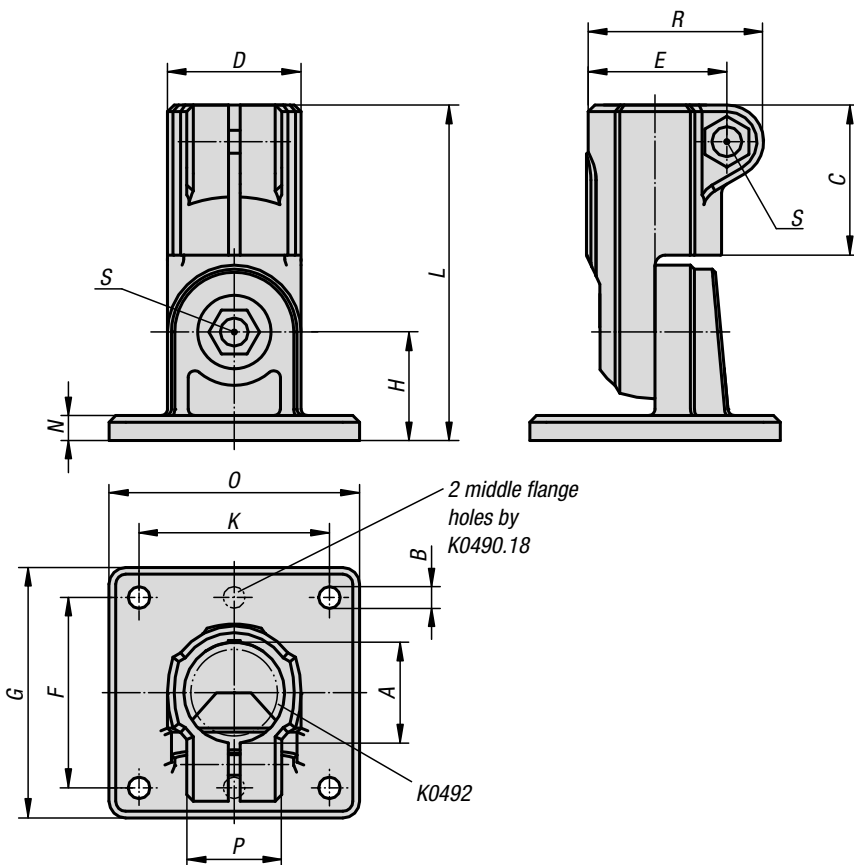


Tube clamps swivel base

plastic



Material:

Thermoplastic.
DIN 7984 screws and DIN 985 nuts steel.

Version:

Black.
Screws and nuts electro zinc-plated.

Sample order:

K0490.18

Note:

Tube swivel clamps can be infinitely rotated through 180°. The standard size for round tubes is Ø18 mm or Ø30 mm. Use reducer sleeves K0492 if smaller tubes are to be clamped or a conversion from round to square tubes is required.

On request:

Plastic clamping levers for tightening.

Accessories:

- Reducer sleeves K0492
- Round and square tubes K0493

Attention:

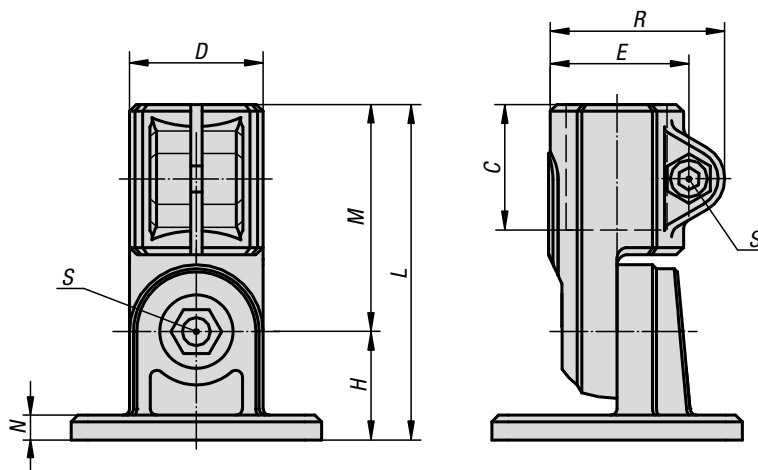
Tightening torque for clamping screws:
M6: 10 Nm
M8: 25 Nm

KIPP Tube clamps swivel base, plastic

Order No.	A	B	C	D	E	F	G	H	K	L	N	O	P	R	S
K0490.18	18	5,3 (2x)	30	25	26,5	40	50	20	-	65	5	35	21	34	M6x18
K0490.30	30	6,5 (4x)	45	40	41,5	60	75	32,5	60	100,5	7,5	75	28,5	52,5	M8x25

Tube clamps swivel base

aluminium



Material:

Cast aluminium.
DIN 7984 screws and DIN 985 nuts, steel.

Version:

Vibratory ground.
Screws and nuts electro zinc-plated.

Sample order:

K0490.518

Note:

Tube swivel clamps can be infinitely rotated through 180°.

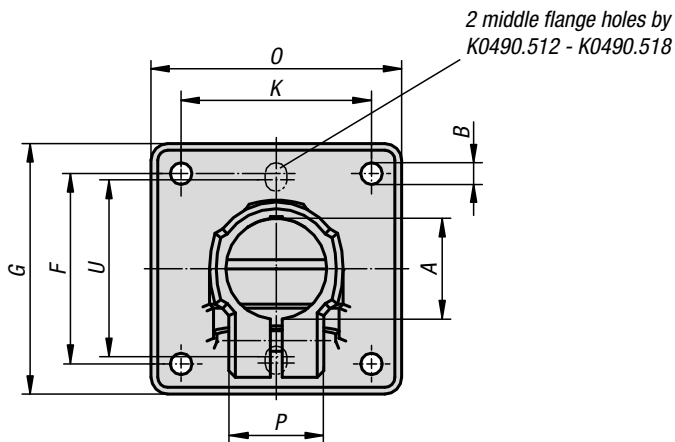
* Elongated hole

On request:

Clamping levers for tightening and other diameters.

Accessories:

- Round and square tubes K0493



KIPP Tube clamps swivel base, aluminium

Order No.	A	B	C	D	E	F	G	H	K	L	M	N	O	P	R	S	U
K0490.512	12,1	6* (2x)	25	26	29,4	40	50	20	-	64	44	5	35	21	37,5	M6x18	38
K0490.514	14,1	6* (2x)	25	26	29,4	40	50	20	-	64	44	5	35	21	37,5	M6x18	38
K0490.516	16,1	6* (2x)	25	26	29,4	40	50	20	-	64	44	5	35	21	37,5	M6x18	38
K0490.518	18,1	6* (2x)	25	26	29,4	40	50	20	-	64	44	5	35	21	37,5	M6x18	38
K0490.520	20,1	7* (4x)	45	40	42	57	75	33	57	106	73	7	75	33	52	M8x35	-
K0490.525	25,1	7* (4x)	45	40	42	57	75	33	57	106	73	7	75	33	52	M8x35	-
K0490.530	30,1	7* (4x)	45	40	42	57	75	33	57	106	73	7	75	33	52	M8x35	-
K0490.540	40,2	9* (4x)	60	56	57	76	100	44	76	144	100	10	100	48	69	M10x50	-