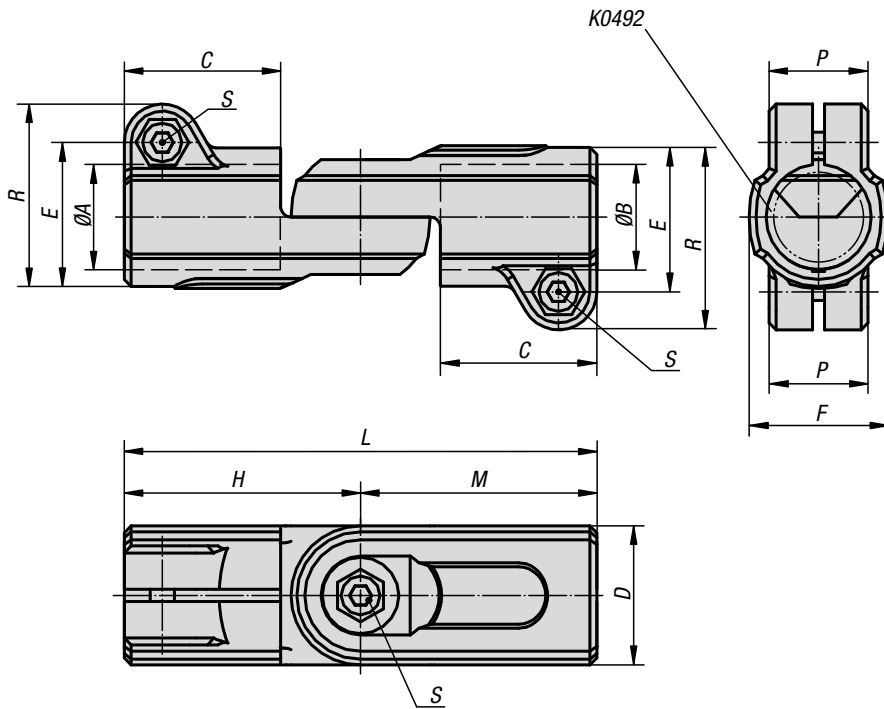


Tube clamps swivel

plastic



Material:

Thermoplastic.
DIN 7984 screws and DIN 985 nuts steel.

Version:

Black.
Screws and nuts electro zinc-plated.

Sample order:

K0489.18

Note:

Swivel tube clamps can be infinitely rotated through 180°.

The standard size for round tubes is Ø18 mm or Ø30 mm. Use reducer sleeves K0492 if smaller tubes are to be clamped or a conversion from round to square tubes is required.

On request:

Plastic clamping levers for tightening.

Accessories:

- Reducer sleeves K0492
- Round and square tubes K0493

Attention:

Tightening torque for clamping screws:
M6: 10 Nm
M8: 25 Nm

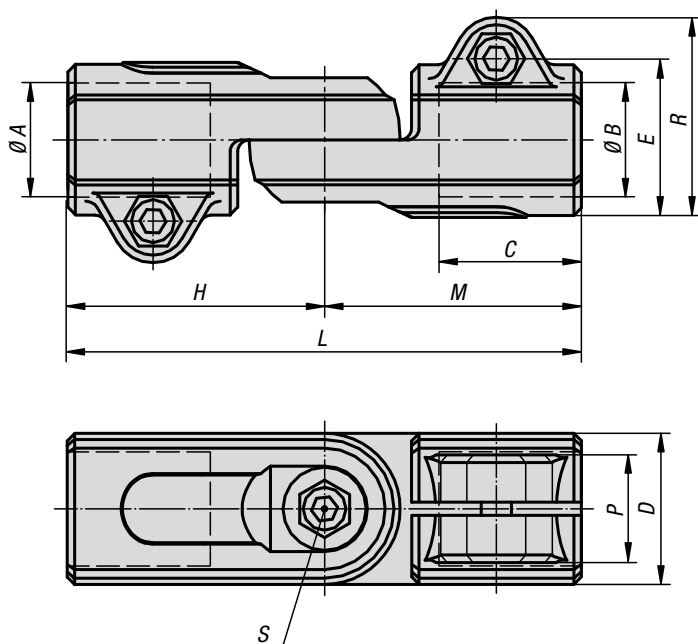


KIPP Tube clamps swivel, plastic

Order No.	A	B	C	D	E	F	H	L	M	P	R	S
K0489.18	18	18	30	25	26,5	25	45	90	45	21	34	M6x18
K0489.30	30	30	45	40	41,5	40	68	136	68	28,5	52,5	M8x25

Tube clamps swivel

aluminium



Material:

Cast aluminium.

ISO 4762 cap screws and ISO 4032 hexagon nuts, steel.

Steel ISO 4017 hex head bolts and DIN 985 hex nuts from Ø20.

Version:

Vibratory ground.

Screws and nuts electro zinc-plated.

Sample order:

K0489.540

Note:

Swivel tube clamps can be infinitely rotated through 180°.

On request:

Clamping levers for tightening and other diameters.

Accessories:

- Round and square tubes K0493

KIPP Tube clamps swivel, aluminium

Order No.	A	B	C	D	E	H	L	M	P	R	S
K0489.512	12,1	12,1	25	26	29,4	44	88	44	21	37,5	M6x18
K0489.514	14,1	14,1	25	26	29,4	44	88	44	21	37,5	M6x18
K0489.516	16,1	16,1	25	26	29,4	44	88	44	21	37,5	M6x18
K0489.518	18,1	18,1	25	26	29,4	44	88	44	21	37,5	M6x18
K0489.520	20,1	20,1	45	40	40	73	146	73	33	51	M8x35
K0489.525	25,1	25,1	45	40	40	73	146	73	33	51	M8x35
K0489.530	30,1	30,1	45	40	40	73	146	73	33	51	M8x35
K0489.540	40,15	40,15	60	56	56	100	200	100	48	70	M10x50