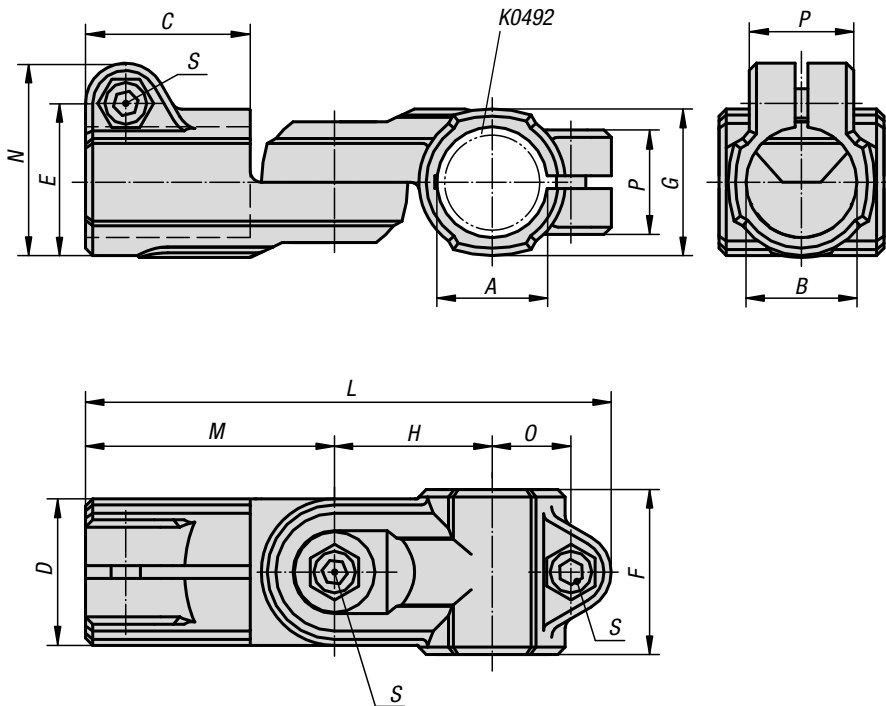


Tube clamps swivel

plastic



Material:

Thermoplastic.
DIN 7984 screws and DIN 985 nuts steel.

Version:

Black.
Screws and nuts electro zinc-plated.

Sample order:

K0488.18

Note:

Swivel tube clamps can be infinitely rotated through 180°. The standard size for round tubes is Ø18 mm or Ø30 mm. Use reducer sleeves K0492 if smaller tubes are to be clamped or a conversion from round to square tubes is required.

On request:

Plastic clamping levers for tightening.

Accessories:

- Reducer sleeves K0492
- Round and square tubes K0493

Attention:

Tightening torque for clamping screws:
M6: 10 Nm
M8: 25 Nm

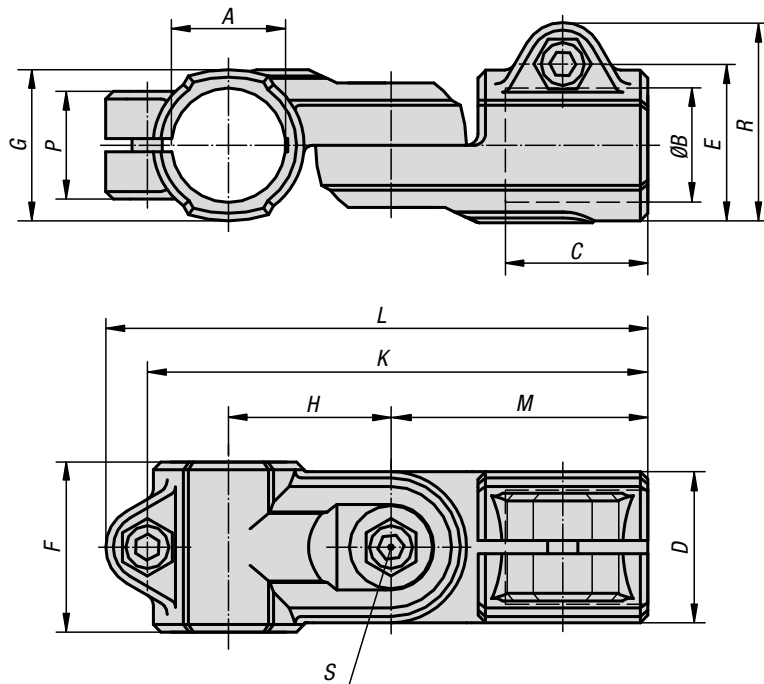


KIPP Tube clamps swivel, plastic

Order No.	A	B	C	D	E	F	G	H	L	M	N	O	P	S
K0488.18	18	18	30	25	26,5	30	25	27,5	94	45	34	14	21	M6x18
K0488.30	30	30	45	40	41,5	45	40	43	143,5	68	52,5	22,5	28,5	M8x25

Tube clamps swivel

aluminium



Material:

Cast aluminium.
DIN 7984 cap screws and DIN 985 hex nuts, steel.
From A = 20.1 DIN 931 hex head screws.

Version:

Vibratory ground.
Cap screw, hex head screw and hex nut.

Sample order:

K0488.518

Note:

Swivel tube clamps can be infinitely rotated through 180°.

On request:

Clamping levers for tightening and other diameters.

Accessories:

- Round and square tubes K0493

KIPP Tube clamps swivel, aluminium

Order No.	A	B	C	D	E	F	G	H	K	L	M	P	R	S
K0488.512	12,1	12,1	25	26	29,4	30	26	27	87	95,5	44	21	37,5	M6x18
K0488.514	14,1	14,1	25	26	29,4	30	26	27	87	95,5	44	21	37,5	M6x18
K0488.516	16,1	16,1	25	26	29,4	30	26	27	87	95,5	44	21	37,5	M6x18
K0488.518	18,1	18,1	25	26	29,4	30	26	27	87	95,5	44	21	37,5	M6x18
K0488.520	20,1	20,1	45	40	42	40	40	43	138	147	73	33	52	M8x35
K0488.525	25,1	25,1	45	40	42	40	40	43	138	147	73	33	52	M8x35
K0488.530	30,1	30,1	45	40	42	40	40	43	138	147	73	33	52	M8x35
K0488.540	40,2	40,2	60	56	57	56	56	60	188	200	100	48	69	M10x50