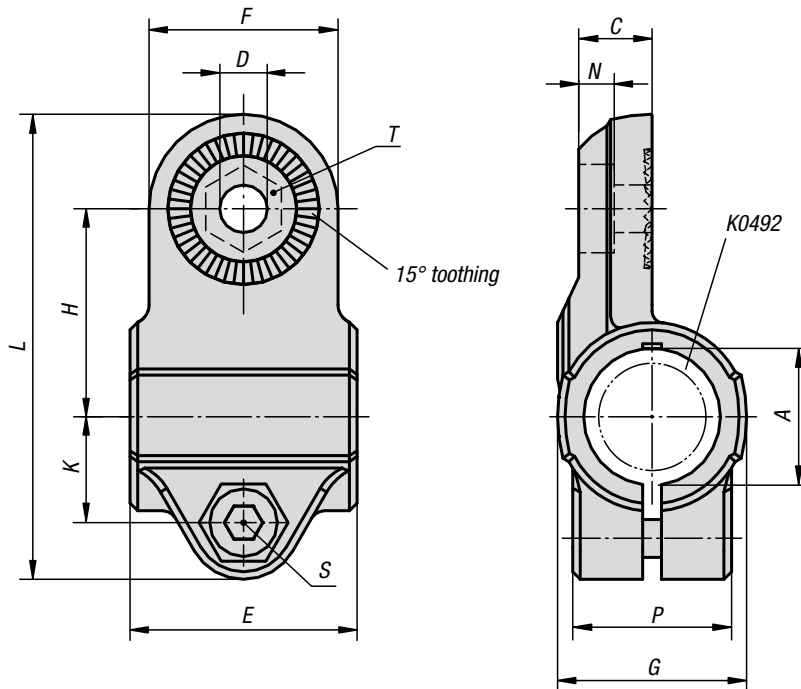


Tube clamps swivel half

sunken teeth, plastic



Material:

Thermoplastic.
DIN 7984 screws and DIN 985 nuts steel.

Version:

Black.
Screws and nuts electro zinc-plated.

Sample order:

K0486.18

Note:

Swivel half clamps with sunken teeth can be combined with swivel half clamps with raised teeth (K0485) to make a complete swivel clamp.
The standard size for round tubes is Ø18 mm or Ø30 mm.
Use reducer sleeves K0492 if smaller tubes are to be clamped or a conversion from round to square tubes is required.

On request:

Plastic clamping levers for tightening.

Accessories:

- Reducer sleeves K0492
- Round and square tubes K0493

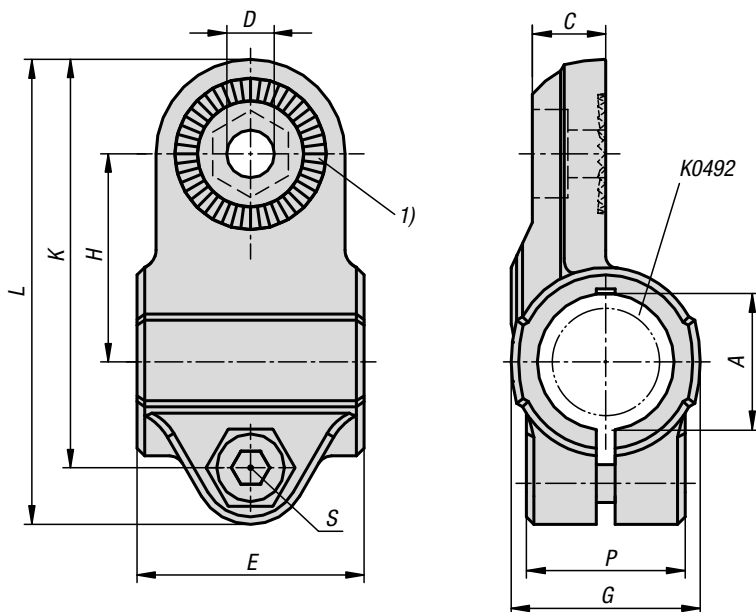


KIPP Tube clamps swivel half, sunken teeth, plastic

Order No.	A	C	D	E	F	G	H	K	L	N	P	S	T
K0486.18	18	9,7	6,1	30	25	25	27,5	14	61,5	5,7	21	M6x18	M6-DIN 985
K0486.30	30	16,5	8,1	45	40	40	43	22,5	95,5	6,5	28,5	M8x25	M8-DIN 985

Tube clamps, swivel half

aluminium, with sunken teeth



Material:

Cast aluminium.
Screws and nuts steel.

Version:

Vibratory ground.
Screws and nuts electro zinc-plated.

Sample order:

K0486.516

Note:

Swivel half clamps with sunken teeth can be combined with swivel half clamps with raised teeth (K0485) to make a complete swivel clamp.

Max. torque when tightening the lockscrow:

- M6: 10 Nm.
- M8: 25 Nm.
- M10: 50 Nm.

On request:

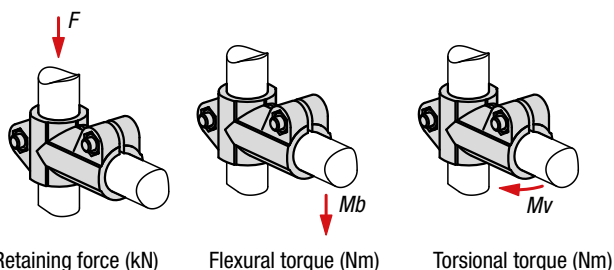
Clamping levers for tightening.

Accessories:

- Hex nut DIN 985
- Hex head bolt DIN 933
- Cap screw DIN 6912

Drawing reference:

1) 15° toothing



KIPP Tube clamps, swivel half, aluminium, with sunken teeth

Order No.	A	C	D	E	G	H	K	L	P	S	F kN	Mb (Nm)	Mv (Nm)
K0486.512	12,1	10,5	7,5	30	26	27	56	64,5	21	M6	2,7	38	15
K0486.514	14,1	10,5	7,5	30	26	27	56	64,5	21	M6	2,7	38	15
K0486.516	16,1	10,5	7,5	30	26	27	56	64,5	21	M6	2,7	38	15
K0486.518	18,1	10,5	7,5	30	26	27	56	64,5	21	M6	2,7	38	15
K0486.520	20	16	9	40	40	43	85	93	33	M8	6	133	85
K0486.525	25,1	16	9	40	40	43	85	93	33	M8	6	133	85
K0486.530	30,1	16	9	40	40	43	85	93	33	M8	6	133	85
K0486.540	40,2	22	11	56	56	60	116	128	48	M10	5,8	264	138