

Tube clamps swivel half

sunken teeth, plastic



Material:

Thermoplastic.
DIN 7984 screws and DIN 985 nuts steel.

Version:

Black.
Screws and nuts electro zinc-plated.

Sample order:

K0484.18

Note:

Swivel half clamps with sunken teeth can be combined with swivel half clamps with raised teeth (K0485) to make a complete swivel clamp. The standard size for round tubes is Ø18 mm or Ø30 mm. Use reducer sleeves K0492 if smaller tubes are to be clamped or a conversion from round to square tubes is required.

Assembly:

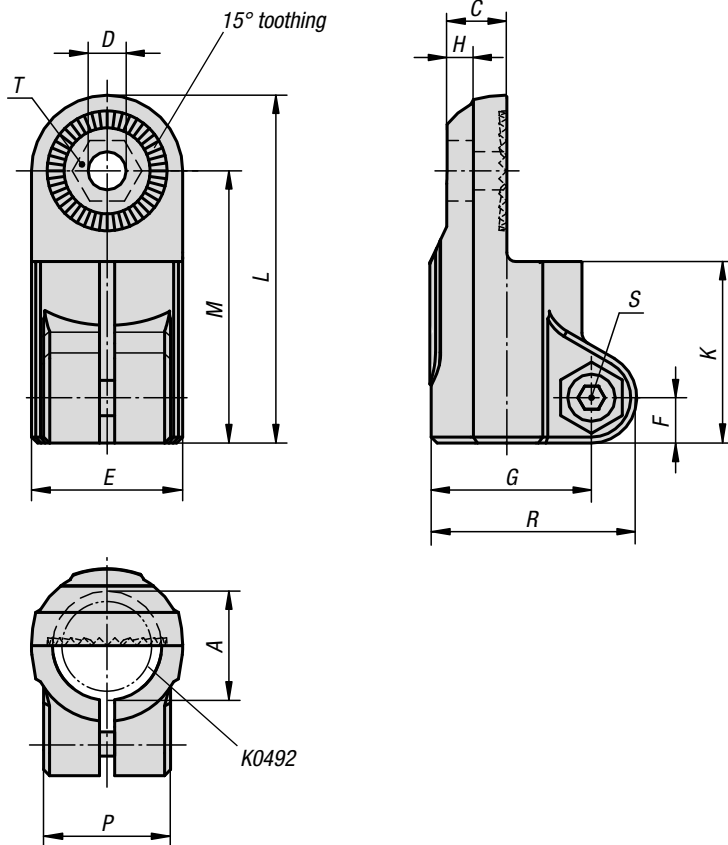
K0484.18 and K0485.18 can be combined using a DIN 985 M6 nut (K1148) and a DIN 6912 M6x18 cap screw (K1160).
K0484.30 and K0485.30 can be combined using a DIN 985 M8 nut (K1148) and a DIN 6912 M8x25 cap screw (K1160).

On request:

Plastic clamping levers for tightening.

Accessories:

- Reducer sleeves K0492
- Round and square tubes K0493

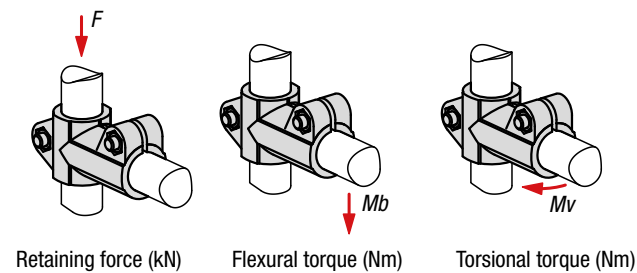
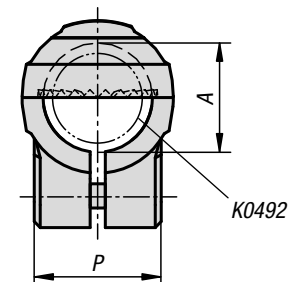
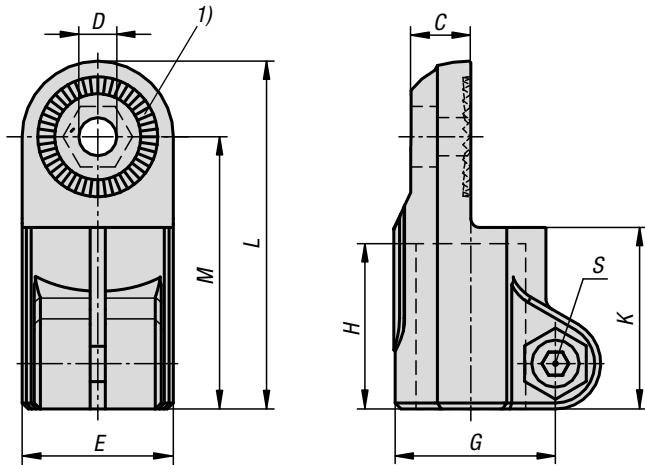


KIPP Tube clamps swivel half, sunken teeth, plastic

Order No.	A	C	D	E	F	G	H	K	L	M	P	R	S	T
K0484.18	18	9,9	6,1	25	7,5	26,5	5,9	30	57,5	45	21	34	M6x18	M6-DIN 985
K0484.30	30	16,5	8,1	40	11	41,5	6,5	45	88	68	28,5	52,5	M8x25	M8-DIN 985

Tube clamps, swivel half

aluminium, with sunken teeth



Material:

Cast aluminium.
Screws and nuts steel.

Version:

Vibratory ground.
Screws and nuts electro zinc-plated.

Sample order:

K0484.516

Note:

Swivel half clamps with sunken teeth can be combined with swivel half clamps with raised teeth (K0485) to make a complete swivel clamp.

Max. torque when tightening the lockscrew:

M6: 10 Nm.

M8: 25 Nm.

M10: 50 Nm.

On request:

Clamping levers for tightening.

Accessories:

- Hex nut DIN 985
- Hex head bolt DIN 933
- Cap screw DIN 6912

Drawing reference:

1) 15° toothing

KIPP Tube clamps, swivel half, aluminium, with sunken teeth

Order No.	A	C	D	E	G	H	K	L	M	P	S	F kN	Mb (Nm)	Mv (Nm)
K0484.512	12,1	10,5	7,5	26	29,4	25	30	57	44	21	M6	3,6	28	9
K0484.514	14,1	10,5	7,5	26	29,4	25	30	57	44	21	M6	3,6	28	9
K0484.516	16,1	10,5	7,5	26	29,4	25	30	57	44	21	M6	3,6	28	9
K0484.518	18,1	10,5	7,5	26	29,4	25	30	57	44	21	M6	3,6	28	9
K0484.520	20	16	9	40	40	45	50	93	73	33	M8	4,9	91	94
K0484.525	25,1	16	9	40	40	45	50	93	73	33	M8	4,9	91	94
K0484.530	30,1	16	9	40	40	45	50	93	73	33	M8	4,9	91	94
K0484.540	40,2	22	11	56	56	60	68	128	100	48	M10	6	267	181