

Tube clamps straight

plastic



Material:

Thermoplastic.
DIN 7984 screws and DIN 985 nuts steel.

Version:

Black.
Screws and nuts electro zinc-plated.

Sample order:

K0481.30

Note:

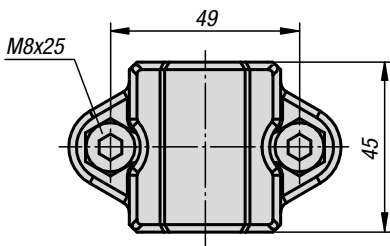
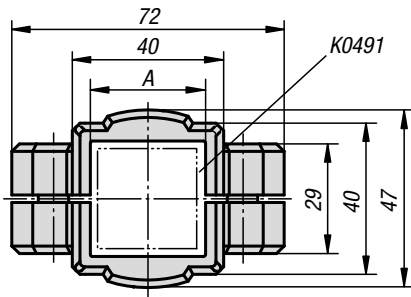
These straight clamps are for 30 mm square tubes. Use reducer sleeves K0491 if smaller tubes are to be clamped or a conversion from square to round tubes is required.

On request:

Plastic clamping levers for tightening.

Accessories:

- Reducer sleeves K0491
- Round and square tubes K0493



KIPP Tube clamps straight, plastic

Order No.	A
K0481.30	30

Tube clamps straight

plastic



Material:

Thermoplastic.
DIN 7984 screws and DIN 985 nuts steel.

Version:

Black.
Screws and nuts electro zinc-plated.

Sample order:

K0483.18

Note:

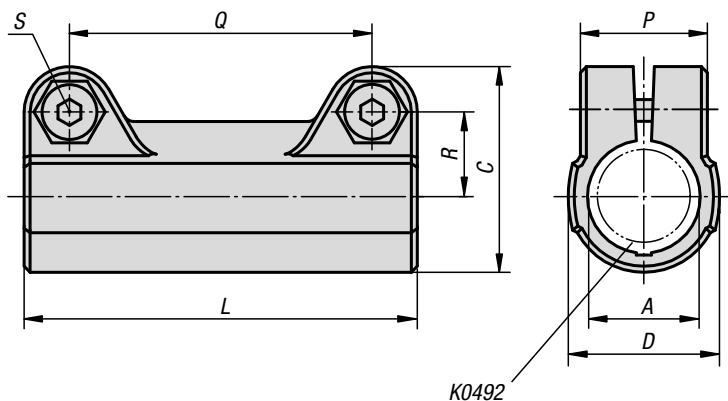
The standard size for round tubes is Ø18 mm or Ø30 mm. Use reducer sleeves K0492 if smaller tubes are to be clamped or a conversion from round to square tubes is required.

On request:

Plastic clamping levers for tightening.

Accessories:

- Reducer sleeves K0492
- Round and square tubes K0493



KIPP Tube clamps straight, plastic

Order No.	A	C	D	L	P	Q	R	S
K0483.18	18	34	25	65	21	50	14	M6x18
K0483.30	30	52,5	40	95	28,5	73	22,8	M8x25