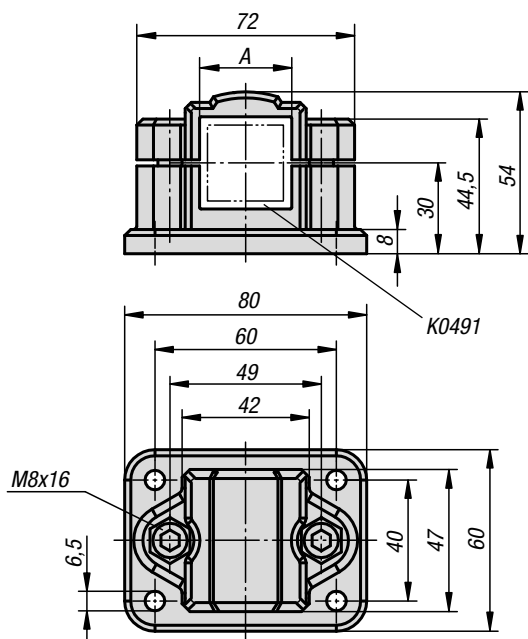


Tube clamps flange

plastic



KIPP Tube clamps flange, plastic

Order No.	A
K0480.30	30



Material:
Thermoplastic.
DIN 7984 screws and DIN 985 nuts steel.

Version:
Black.
Screws and nuts electro zinc-plated.

Sample order:
K0480.30

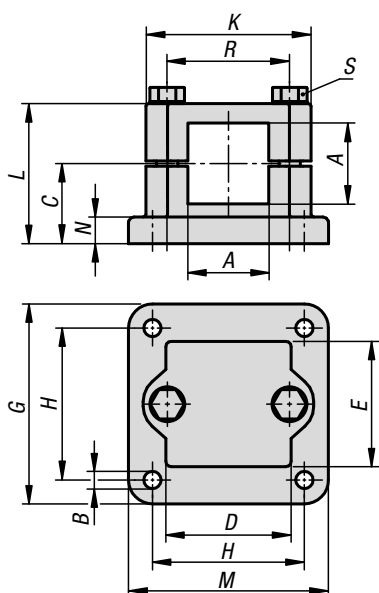
Note:
These flange clamps are for 30 mm square tubes. Use reducer sleeves K0491 if smaller tubes are to be clamped or a conversion from square to round tubes is required.

On request:
Plastic clamping levers for tightening.

Accessories:
- Reducer sleeves K0491
- Round and square tubes K0493

Tube clamps flange

aluminium



KIPP Tube clamps flange, aluminium

Order No.	A	B	C	D	E	G	H	K	L	M	N	R	S
K0480.5225	25,3	7	30	45	45	75	57	62	52,5	75	10	46	M8x50
K0480.5230	30,3	7	30	45	45	75	57	62	52,5	75	10	46	M8x50
K0480.5240	40,4	9	40	60	60	100	76	75	70	100	10	57	M8x70



Material:
Cast aluminium.
Screws and nuts steel.

Version:
Vibratory ground.
Screws and nuts electro zinc-plated.

Sample order:
K0480.5230

On request:
Levers for locking and other sizes for square tube.

Accessories:
- Round and square tubes K0493