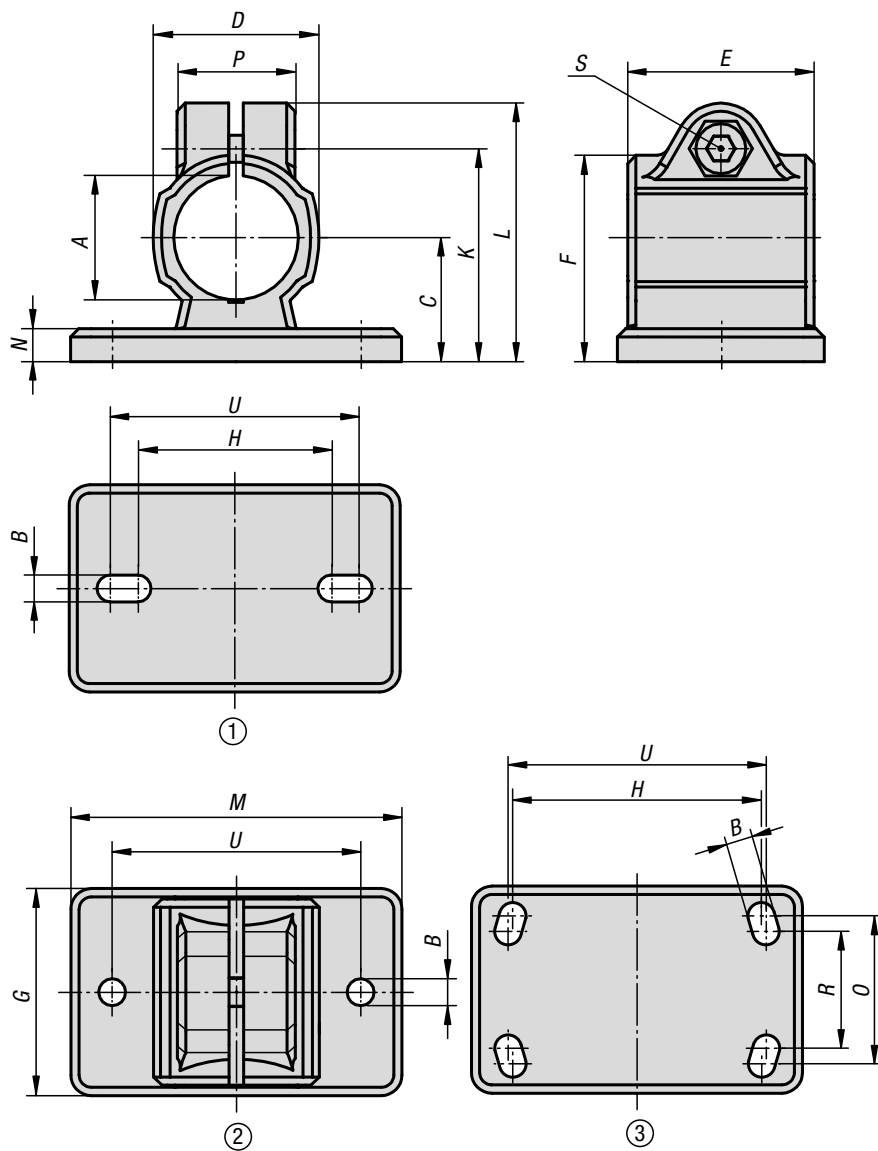


## Tube clamps flange

aluminium



**Material:**  
Cast aluminium.  
DIN 7984 screws and DIN 985 nuts, steel.

**Version:**  
Vibratory ground.  
Screws and nuts electro zinc-plated.

**Sample order:**  
K0479.518

**Note:**  
\* Elongated hole

**On request:**  
Clamping levers for tightening and other diameters.

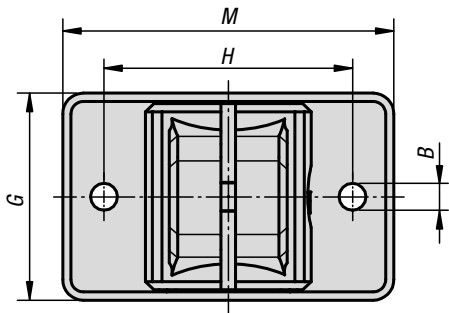
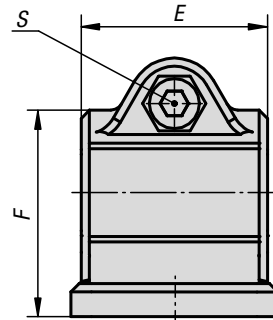
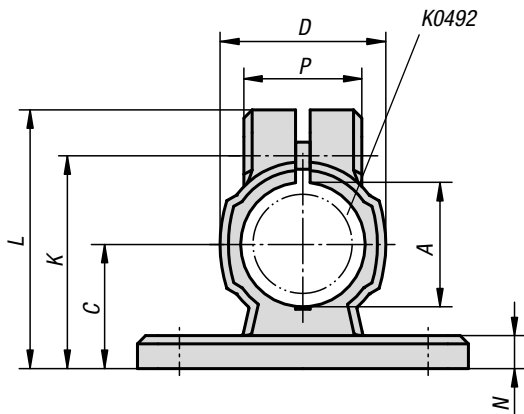
**Accessories:**  
- Round and square tubes K0493

### KIPP Tube clamps, flange, aluminium

| Order No. | hole arrangement | A     | B          | C  | D  | E  | F  | G  | H  | K    | L  | M   | N  | O  | P  | R  | S      | U   |
|-----------|------------------|-------|------------|----|----|----|----|----|----|------|----|-----|----|----|----|----|--------|-----|
| K0479.512 | 1                | 12,1  | 5,5* (2x)  | 18 | 25 | 35 | 31 | 35 | 38 | 32,5 | 41 | 50  | 5  | -  | 23 | -  | M6x20  | 40  |
| K0479.514 | 2                | 14,1  | 5,5 (2x)   | 18 | 25 | 35 | 31 | 35 | -  | 32,5 | 41 | 50  | 5  | -  | 23 | -  | M6x20  | 40  |
| K0479.515 | 2                | 15,1  | 5,5 (2x)   | 18 | 25 | 35 | 31 | 35 | -  | 32,5 | 41 | 50  | 5  | -  | 23 | -  | M6x20  | 40  |
| K0479.516 | 1                | 16,1  | 5,5* (2x)  | 18 | 25 | 35 | 31 | 35 | 38 | 32,5 | 41 | 50  | 5  | -  | 23 | -  | M6x20  | 40  |
| K0479.518 | 2                | 18,1  | 5,5 (2x)   | 18 | 25 | 35 | 31 | 35 | -  | 32,5 | 41 | 50  | 5  | -  | 23 | -  | M6x20  | 40  |
| K0479.520 | 1                | 20,1  | 6,5* (2x)  | 30 | 40 | 40 | 50 | 55 | 53 | 53   | 63 | 78  | 7  | -  | 33 | -  | M8x25  | 60  |
| K0479.525 | 1                | 25,1  | 6,5* (2x)  | 30 | 40 | 40 | 50 | 55 | 53 | 53   | 63 | 78  | 7  | -  | 33 | -  | M8x25  | 60  |
| K0479.530 | 1                | 30,1  | 6,5* (2x)  | 30 | 40 | 40 | 50 | 55 | 53 | 53   | 63 | 78  | 7  | -  | 33 | -  | M8x25  | 60  |
| K0479.540 | 3                | 40,17 | 8,5* (4x)  | 42 | 56 | 60 | 70 | 80 | 80 | 74   | 87 | 105 | 10 | 60 | 40 | 52 | M10x30 | 82  |
| K0479.550 | 3                | 50,22 | 10,5* (4x) | 50 | 66 | 65 | 83 | 90 | 98 | 85   | 98 | 128 | 14 | 62 | 45 | 60 | M10x35 | 100 |

## Tube clamps flange

plastic



**Material:**

Thermoplastic.  
DIN 7984 screws and DIN 985 nuts steel.

**Version:**

Black.  
Screws and nuts electro zinc-plated.

**Sample order:**

K0479.18

**Note:**

The standard size for round tubes is  $\varnothing 18$  mm or  $\varnothing 30$  mm. Use reducer sleeves K0492 if smaller tubes are to be clamped or a conversion from round to square tubes is required.

**On request:**

Plastic clamping levers for tightening.

**Accessories:**

- Reducer sleeves K0492
- Round and square tubes K0493

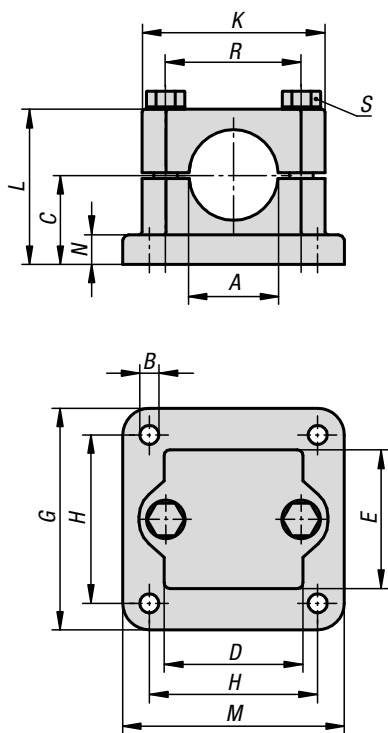


**KIPP Tube clamps, flange, plastic**

| Order No. | A  | B   | C  | D  | E  | F    | G  | H  | K    | L    | M  | N | P    | S     |
|-----------|----|-----|----|----|----|------|----|----|------|------|----|---|------|-------|
| K0479.18  | 18 | 5,3 | 18 | 25 | 30 | 30,5 | 35 | 40 | 32   | 39,5 | 50 | 5 | 21   | M6x18 |
| K0479.30  | 30 | 6,5 | 30 | 40 | 45 | 50   | 50 | 60 | 51,5 | 62,5 | 80 | 8 | 28,5 | M8x25 |

## Tube clamps flange

aluminium



**Material:**

Cast aluminium.  
Screws and nuts steel.

**Version:**

Vibratory ground.  
Screws and nuts electro zinc-plated.

**Sample order:**

K0479.5230

**On request:**

Clamping levers for tightening and other diameters.

**Accessories:**

- Round and square tubes K0493



### KIPP Tube clamps, flange, aluminium

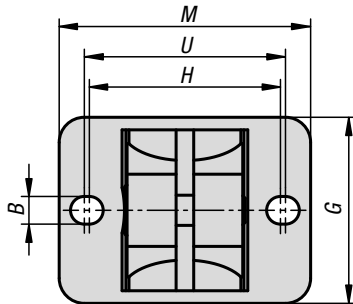
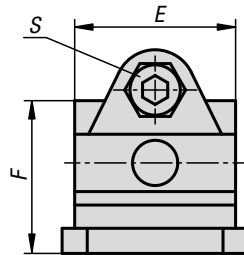
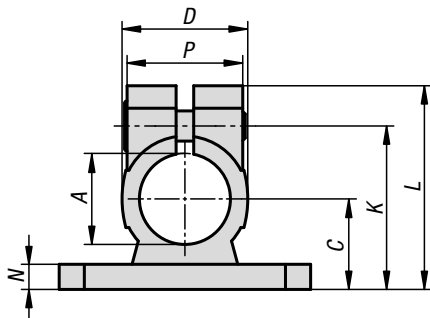
| Order No.  | A    | B | C  | D  | E  | G   | H  | K  | L    | M   | N  | R  | S     |
|------------|------|---|----|----|----|-----|----|----|------|-----|----|----|-------|
| K0479.5220 | 20,2 | 7 | 30 | 45 | 45 | 75  | 57 | 62 | 52,5 | 75  | 10 | 46 | M8x50 |
| K0479.5225 | 25,2 | 7 | 30 | 45 | 45 | 75  | 57 | 62 | 52,5 | 75  | 10 | 46 | M8x50 |
| K0479.5230 | 30,2 | 7 | 30 | 45 | 45 | 75  | 57 | 62 | 52,5 | 75  | 10 | 46 | M8x50 |
| K0479.5240 | 40,2 | 9 | 40 | 60 | 60 | 100 | 76 | 75 | 70   | 100 | 10 | 57 | M8x70 |

## Tube clamps flange

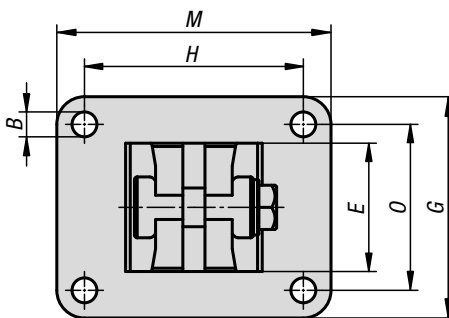
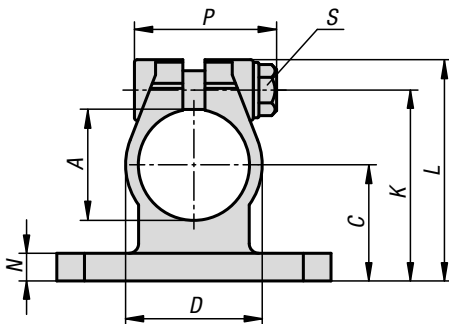
stainless steel



Ⓐ



Ⓑ



**Material:**

Investment cast 1.4308 stainless steel.

ISO 4762 cap screw and ISO 4032 hex nut, stainless steel.

From ø30 mm ISO 4017 hex head bolt, stainless steel.

**Version:**

Electropolished.

**Sample order:**

K0479.112

**Note:**

The tube clamps with diameters 30 and 40 mm have a silicone sleeve that protects the thread of the hex head screw from contamination and damage.

**On request:**

Clamping levers for tightening.

**Accessories:**

- Round and square tubes K0493

**KIPP Tube clamps flange, stainless steel**

| Order No. | Form | A     | B   | C  | D    | E    | F    | G  | H  | K    | L    | M  | N  | O  | P    | S      | U  |
|-----------|------|-------|-----|----|------|------|------|----|----|------|------|----|----|----|------|--------|----|
| K0479.112 | A    | 12,1  | 5,5 | 18 | 25   | 32   | 30,4 | 37 | 38 | 32,5 | 40,5 | 50 | 5  | -  | 23   | M6x18  | 40 |
| K0479.114 | A    | 14,1  | 5,5 | 18 | 25   | 32   | 30,4 | 37 | 38 | 32,5 | 40,5 | 50 | 5  | -  | 23   | M6x18  | 40 |
| K0479.116 | A    | 16,1  | 5,5 | 18 | 25   | 32   | 30,4 | 37 | 38 | 32,5 | 40,5 | 50 | 5  | -  | 23   | M6x18  | 40 |
| K0479.118 | A    | 18,1  | 5,5 | 18 | 25   | 32   | 30,4 | 37 | 38 | 32,5 | 40,5 | 50 | 5  | -  | 23   | M6x18  | 40 |
| K0479.120 | A    | 20,1  | 5,5 | 18 | 25   | 32   | 30,4 | 37 | 38 | 32,5 | 40,5 | 50 | 5  | -  | 23   | M6x18  | 40 |
| K0479.130 | B    | 30,1  | 7   | 30 | 37,4 | 32,4 | -    | 55 | 60 | 50   | 59,2 | 78 | 7  | 40 | 45,5 | M8x30  | -  |
| K0479.140 | B    | 40,17 | 9   | 42 | 49,4 | 46,4 | -    | 80 | 60 | 69   | 80   | 80 | 10 | 60 | 52   | M10x35 | -  |