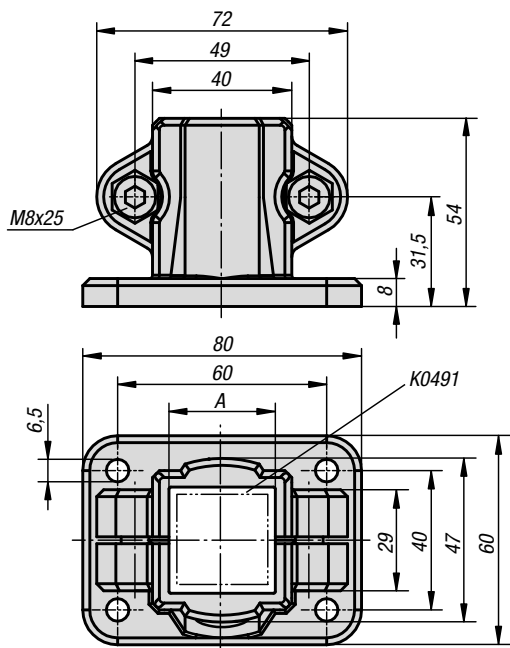


Tube clamps base

plastic



Material:
Thermoplastic.
DIN 7984 screws and DIN 985 nuts steel.

Version:
Black.
Screws and nuts electro zinc-plated.

Sample order:
K0478.30

Note:
These base clamps are for 30 mm square tubes. Use reducer sleeves K0491 if smaller tubes are to be clamped or a conversion from square to round tubes is required.

On request:
Plastic clamping levers for tightening.

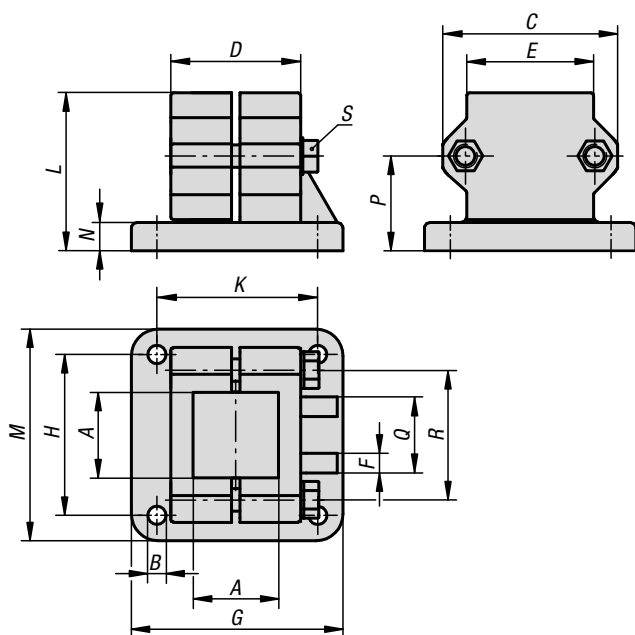
Accessories:
- Reducer sleeves K0491
- Round and square tubes K0493

KIPP Tube clamps base, plastic

Order No.	A
K0478.30	30

Tube clamps base

aluminium



Material:
Cast aluminium.
Screws and nuts steel.

Version:
Vibratory ground.
Screws and nuts electro zinc-plated.

Sample order:
K0478.5230

On request:
Levers for locking and other sizes for square tube.

Accessories:
- Round and square tubes K0493

KIPP Tube clamps base, aluminium

Order No.	A	B	C	D	E	F	G	H	K	L	M	N	P	Q	R	S
K0478.5230	30,3	7	62	45	45	5	75	57	57	56	75	10	33,5	25	46	M8x45
K0478.5240	40,4	9	75	60	60	5	100	76	76	73	100	12	43	32	57	M8x60