

Tube clamps base

plastic



Material:

Thermoplastic.
DIN 7984 screws and DIN 985 nuts steel.

Version:

Black.
Screws and nuts electro zinc-plated.

Sample order:

K0477.18

Note:

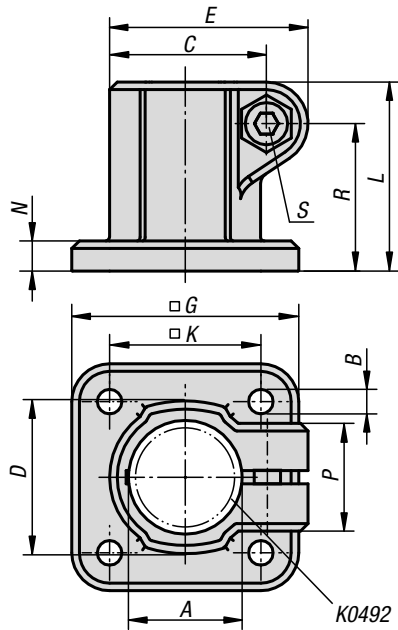
The standard size for round tubes is $\varnothing 18$ mm or $\varnothing 30$ mm.
Use reducer sleeves K0492 if smaller tubes are to be clamped or a conversion from round to square tubes is required.

On request:

Plastic clamping levers for tightening.

Accessories:

- Reducer sleeves K0492
- Round and square tubes K0493



KIPP Tube clamps base, plastic

| Order No. | A | B | C | D | E | G | K | L | N | P | R | S |
|-----------|----|-----|------|----|------|----|----|----|---|------|------|-------|
| K0477.18 | 18 | 5,3 | 26,5 | 26 | 34 | 45 | 30 | 32 | 5 | 21 | 24,5 | M6x18 |
| K0477.30 | 30 | 6,5 | 41,5 | 42 | 52,5 | 60 | 40 | 50 | 8 | 28,5 | 39 | M8x25 |

Tube clamps base

aluminium



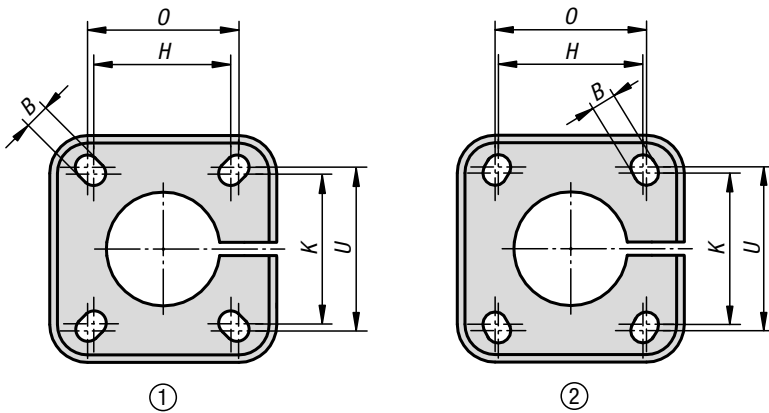
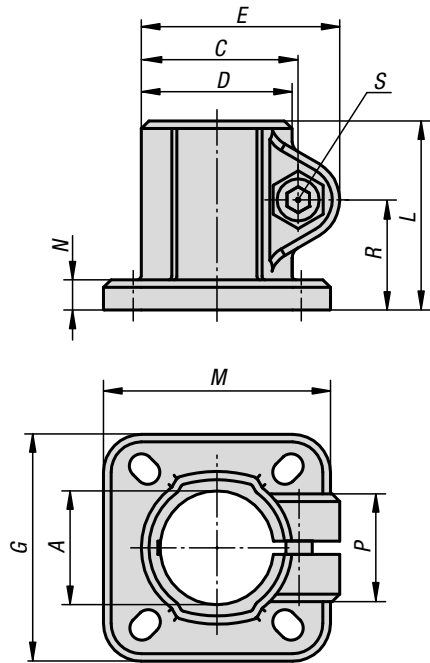
Material:
Cast aluminium.
DIN 7984 screws and DIN 985 nuts, steel.

Version:
Vibratory ground.
Screws and nuts electro zinc-plated.

Sample order:
K0477.518

On request:
Clamping levers for tightening and other diameters.

Accessories:
- Round and square tubes K0493



KIPP Tube clamps base, aluminium

| Order No. | hole arrangement | A | B | C | D | E | G | H | K | L | M | N | O | P | R | S | U |
|-----------|------------------|-------|----|------|----|------|-----|----|----|----|-----|----|----|----|------|--------|----|
| K0477.512 | 1 | 12,1 | 6 | 27 | 25 | 35,5 | 42 | 28 | 28 | 37 | 42 | 5 | 30 | 23 | 21 | M6x20 | 30 |
| K0477.514 | 1 | 14,1 | 6 | 27 | 25 | 35,5 | 42 | 28 | 28 | 37 | 42 | 5 | 30 | 23 | 21 | M6x20 | 30 |
| K0477.515 | 1 | 15,1 | 6 | 27 | 25 | 35,5 | 42 | 28 | 28 | 37 | 42 | 5 | 30 | 23 | 21 | M6x20 | 30 |
| K0477.516 | 1 | 16,1 | 6 | 27 | 25 | 35,5 | 42 | 28 | 28 | 37 | 42 | 5 | 30 | 23 | 21 | M6x20 | 30 |
| K0477.518 | 1 | 18,1 | 6 | 27 | 25 | 35,5 | 42 | 28 | 28 | 37 | 42 | 5 | 30 | 23 | 21 | M6x20 | 30 |
| K0477.520 | 2 | 20,1 | 7 | 42,5 | 40 | 53 | 60 | 40 | 42 | 50 | 60 | 8 | 42 | 33 | 29 | M8x25 | 45 |
| K0477.525 | 2 | 25,1 | 7 | 42,5 | 40 | 53 | 60 | 40 | 42 | 50 | 60 | 8 | 42 | 33 | 29 | M8x25 | 45 |
| K0477.530 | 2 | 30,1 | 7 | 42,5 | 40 | 53 | 60 | 40 | 42 | 50 | 60 | 8 | 42 | 33 | 29 | M8x25 | 45 |
| K0477.540 | 1 | 40,17 | 9 | 61 | 56 | 74 | 90 | 60 | 60 | 70 | 90 | 10 | 64 | 40 | 40 | M10x30 | 64 |
| K0477.550 | 1 | 50,22 | 11 | 70 | 66 | 84 | 105 | 74 | 74 | 85 | 105 | 14 | 80 | 45 | 49,5 | M10x35 | 80 |

Tube clamps base

stainless steel



Material:

Investment cast 1.4308 stainless steel.
ISO 4762 cap screw and ISO 4032 hex nut,
stainless steel.
From ø30 mm ISO 4017 hex head bolt, stainless steel.

Version:

Electropolished.

Sample order:

K0477.112

Note:

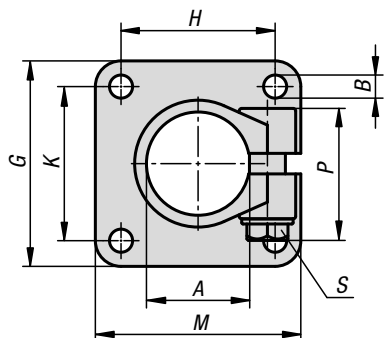
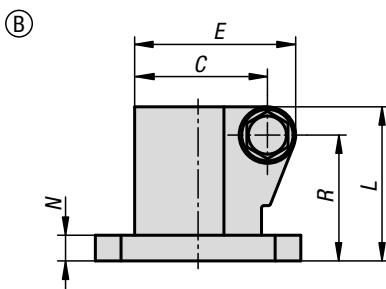
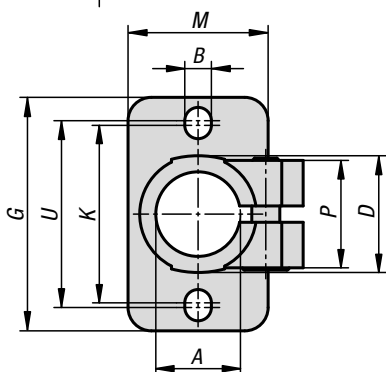
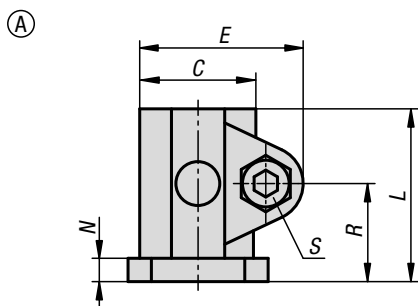
The tube clamps with diameters 30 and 40 mm have a silicone sleeve that protects the thread of the hex head screw from contamination and damage.

On request:

Clamping levers for tightening.

Accessories:

- Round and square tubes K0493



KIPP Tube clamps base, stainless steel

| Order No. | Form | A | B | C | D | E | G | H | K | L | M | N | P | R | S | U |
|-----------|------|-------|-----|------|------|----|----|----|----|----|----|----|------|------|--------|----|
| K0477.112 | A | 12,1 | 5,7 | 27 | 25 | 35 | 50 | - | 38 | 37 | 30 | 5 | 23 | 21 | M6x18 | 40 |
| K0477.114 | A | 14,1 | 5,7 | 27 | 25 | 35 | 50 | - | 38 | 37 | 30 | 5 | 23 | 21 | M6x18 | 40 |
| K0477.116 | A | 16,1 | 5,7 | 27 | 25 | 35 | 50 | - | 38 | 37 | 30 | 5 | 23 | 21 | M6x18 | 40 |
| K0477.118 | A | 18,1 | 5,7 | 27 | 25 | 35 | 50 | - | 38 | 37 | 30 | 5 | 23 | 21 | M6x18 | 40 |
| K0477.120 | A | 20,1 | 5,7 | 27 | 25 | 35 | 50 | - | 38 | 37 | 30 | 5 | 23 | 21 | M6x18 | 40 |
| K0477.130 | B | 30,1 | 7 | 39 | 37,4 | 48 | 60 | 40 | 40 | 50 | 60 | 7 | 45,5 | 41 | M8x30 | - |
| K0477.140 | B | 40,17 | 9 | 51,7 | 49,4 | 63 | 80 | 60 | 60 | 60 | 80 | 10 | 52 | 48,7 | M10x35 | - |