

Tube clamps T-angle

plastic



Material:

Thermoplastic.
DIN 7984 screws and DIN 985 nuts steel.

Version:

Black.
Screws and nuts electro zinc-plated.

Sample order:

K0476.3030

Note:

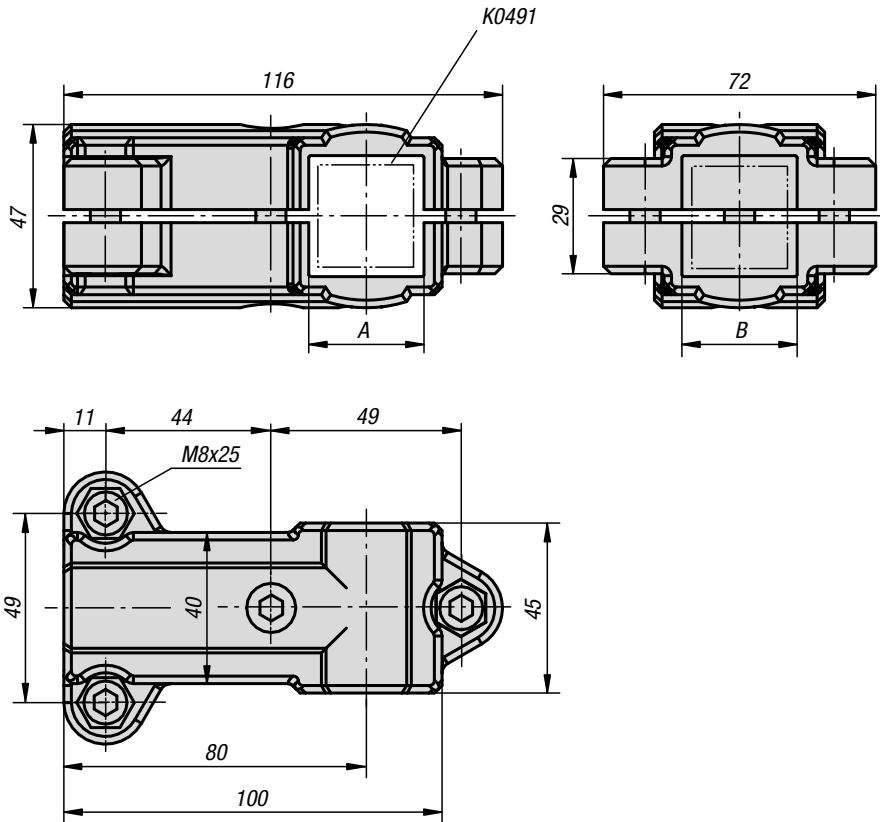
These T-clamps are for 30 mm square tubes. Use reducer sleeves K0491 if smaller tubes are to be clamped or a conversion from square to round tubes is required.

On request:

Plastic clamping levers for tightening.

Accessories:

- Reducer sleeves K0491
- Round and square tubes K0493

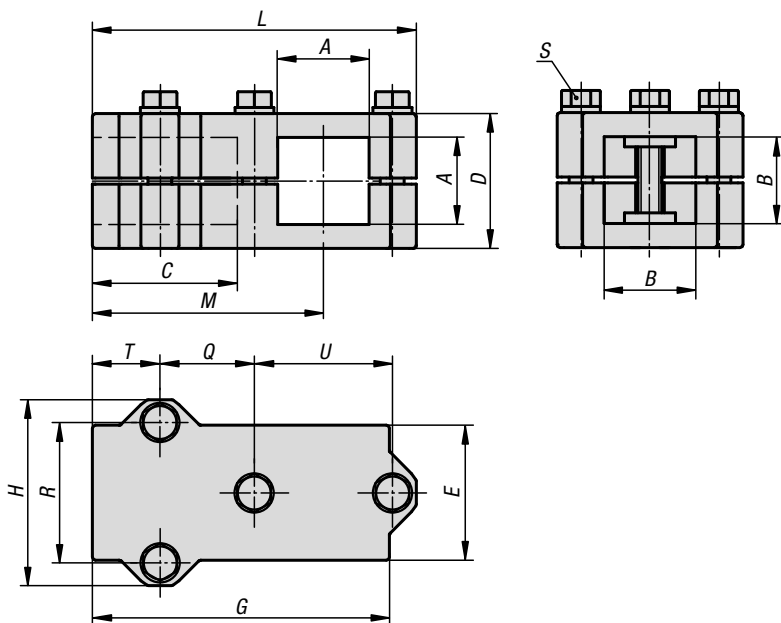


KIPP Tube clamps T-angle, plastic

Order No.	A	B
K0476.3030	30	30

Tube clamps T-angle

aluminium



Material:

Cast aluminium.
Screws and nuts steel.

Version:

Vibratory ground.
Screws and nuts electro zinc-plated.

Sample order:

K0476.523030

On request:

Levers for locking and other sizes for square tube.

Accessories:

- Round and square tubes K0493

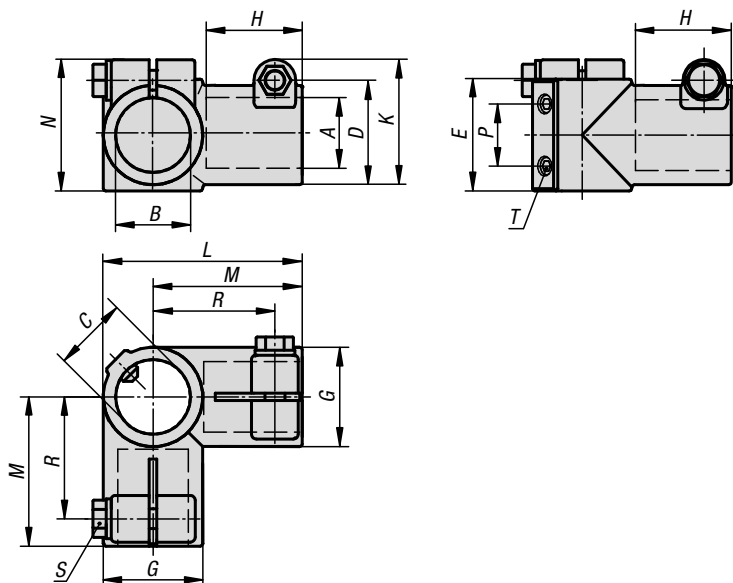


KIPP Tube clamps T-angle, aluminium

Order No.	A	B	C	D	E	G	H	L	M	Q	R	S	T	U
K0476.523030	30,3	30,3	46	45	45	100	62	108	77	31,5	46	M8x45	23	46
K0476.524040	40,4	40,4	60	60	60	129	75	136	99	40	57	M8x60	30	57

Tube clamps right-angle

aluminium



Material:

Cast aluminium.
Screws and nuts steel.

Version:

Vibratory ground.
Screws and nuts electro zinc-plated.

Sample order:

K0476.530

On request:

Clamping levers for tightening and other diameters.

Accessories:

- Round and square tubes K0493

KIPP Tube clamps right-angle, aluminium

Order No.	A	B	C	D	E	G	H	K	L	M	N	P	R	S	T
K0476.530	30,1	30,1	30,1	40	45	40	38	51	80	60	53	25	49	M8x25	M8x15
K0476.540	40,15	40,15	40,15	56	60	56	58	71	116	88	73	35	70	M10x30	M8x10
K0476.550	50,22	50,22	50,22	66	70	66	70	78	136	108	80	40	90	M10x35	M10x15