

Tube clamps T-angle

plastic



Material:

Thermoplastic.
DIN 7984 screws and DIN 985 nuts steel.

Version:

Black.
Screws and nuts electro zinc-plated.

Sample order:

K0475.1818

Note:

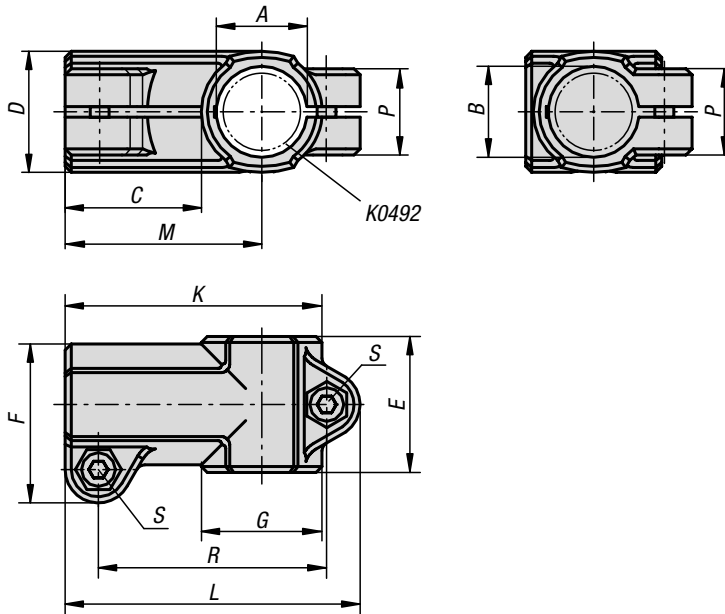
The standard size for round tubes is $\varnothing 18$ mm or $\varnothing 30$ mm. Use reducer sleeves K0492 if smaller tubes are to be clamped or a conversion from round to square tubes is required.

On request:

Plastic clamping levers for tightening.

Accessories:

- Reducer sleeves K0492
- Round and square tubes K0493

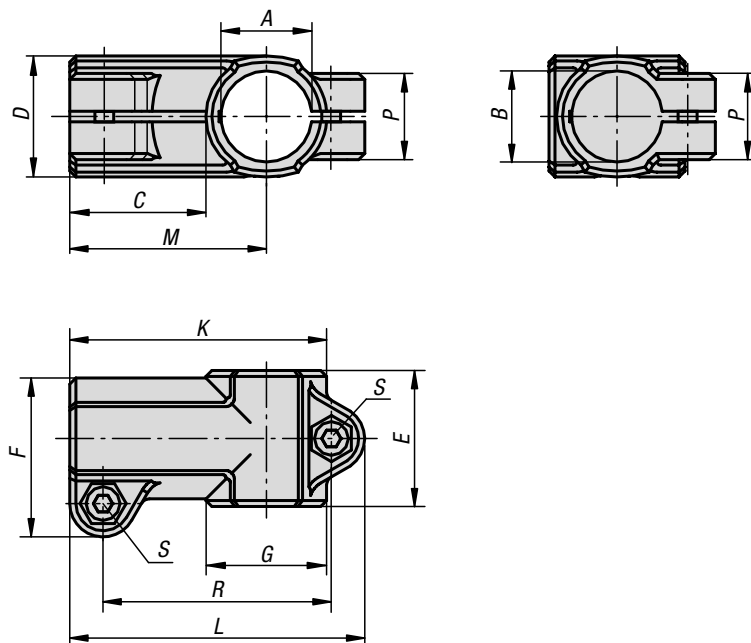


KIPP Tube clamps T-angle, plastic

Order No.	A	B	C	D	E	F	G	K	L	M	P	R	S
K0475.1818	18	18	30,5	25	30	34	25	55,5	64,5	43	21	49,5	M6x18
K0475.3030	30	30	45	40	45	52,5	40	85	97,5	65	28,5	75,5	M8x25

Tube clamps T-angle

aluminium



Material:

Cast aluminium.
DIN 7984 screws and DIN 985 nuts, steel.

Version:

Vibratory ground.
Screws and nuts electro zinc-plated.

Sample order:

K0475.51818

On request:

Levers for locking and other diameters.

Accessories:

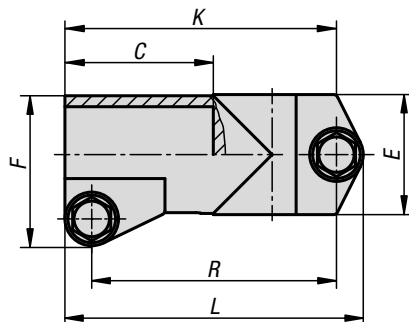
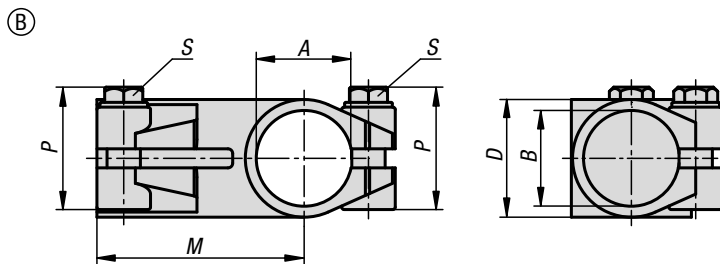
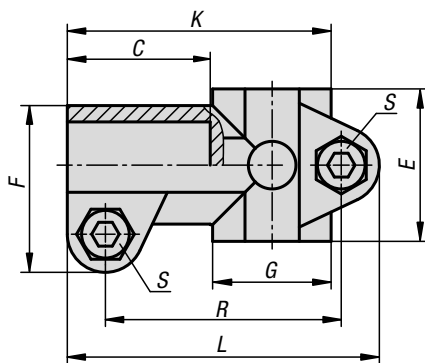
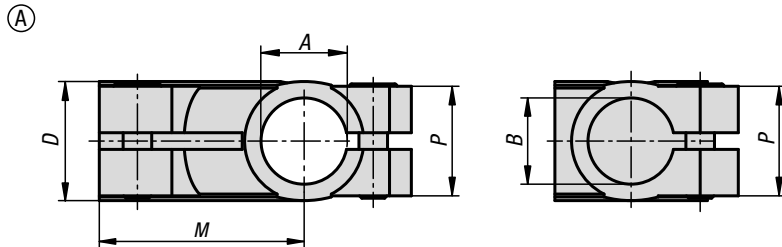
- Round and square tubes K0493

KIPP Tube clamps T-angle, aluminium

Order No.	A	B	C	D	E	F	G	K	L	M	P	R	S
K0475.51212	12,1	12,1	28	25	32	35,5	25	56	66	43	23	49	M6x20
K0475.51414	14,1	14,1	28	25	32	35,5	25	56	66	43	23	49	M6x20
K0475.51515	15,1	15,1	28	25	32	35,5	25	56	66	43	23	49	M6x20
K0475.51616	16,1	16,1	28	25	32	35,5	25	56	66	43	23	49	M6x20
K0475.51818	18,1	18,1	28	25	32	35,5	25	56	66	43	23	49	M6x20
K0475.52020	20,1	20,1	38	40	45	53	40	80	93	60	33	72,5	M8x25
K0475.52525	25,1	25,1	38	40	45	53	40	80	93	60	33	72,5	M8x25
K0475.53030	30,1	30,1	38	40	45	53	40	80	93	60	33	72,5	M8x25
K0475.54040	40,15	40,15	55	56	60	74	56	116	134	88	40	108	M10x30
K0475.55050	50,22	50,22	63	66	66	84	66	131	149	98	45	123	M10x35

Tube clamps T-angle

stainless steel



Material:

Investment cast 1.4308 stainless steel.
ISO 4762 cap screw and ISO 4032 hex nut, stainless steel.
From $\varnothing 30$ mm ISO 4017 hex head bolt, stainless steel.

Version:

Electropolished.

Sample order:

K0475.11212

Note:

The tube clamps with diameters 30 and 40 mm have a silicone sleeve that protects the thread of the hex head screw from contamination and damage.

On request:

Clamping levers for tightening.

Accessories:

- Round and square tubes K0493

KIPP Tube clamps T-angle stainless steel

Order No.	Form	A	B	C	D	E	F	G	K	L	M	P	R	S
K0475.11212	A	12,1	12,1	30,5	25	32	35	25	55,5	65,5	43	23	49,5	M6x18
K0475.11414	A	14,1	14,1	30,5	25	32	35	25	55,5	65,5	43	23	49,5	M6x18
K0475.11616	A	16,1	16,1	30,5	25	32	35	25	55,5	65,5	43	23	49,5	M6x18
K0475.11818	A	18,1	18,1	30,5	25	32	35	25	55,5	65,5	43	23	49,5	M6x18
K0475.12020	A	20,1	20,1	30,5	25	32	35	25	55,5	65,5	43	23	49,5	M6x18
K0475.13030	B	30,1	30,1	40	38,4	38	48	-	78	87	58	45,5	69	M8x30
K0475.14040	B	40,17	40,17	60	50,4	50	63	-	112	124,9	87	52	102,5	M10x35