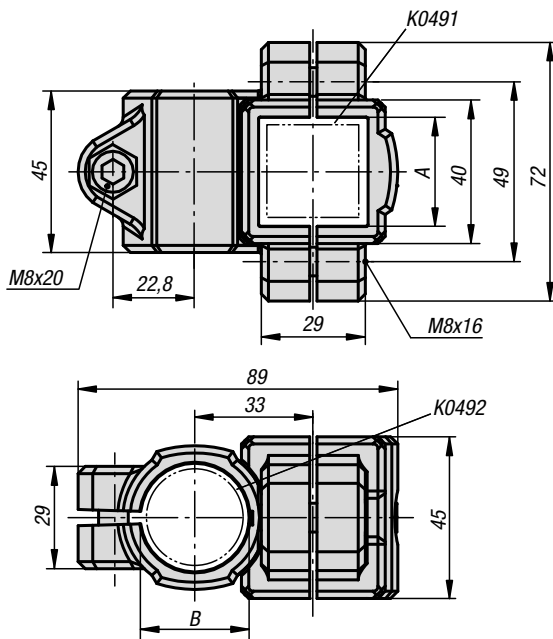


Tube clamps cross

plastic



Material:

Thermoplastic.
DIN 7984 screws and DIN 985 nuts steel.

Version:

Black.
Screws and nuts electro zinc-plated.

Sample order:

K0474.3030

Note:

These cross clamps are for 30 mm square and round tubes. Use reducer sleeves K0491 or K0492 if smaller tubes are to be clamped or a conversion from round to square tubes „or vice versa“ is required.

On request:

Plastic clamping levers for tightening.

Accessories:

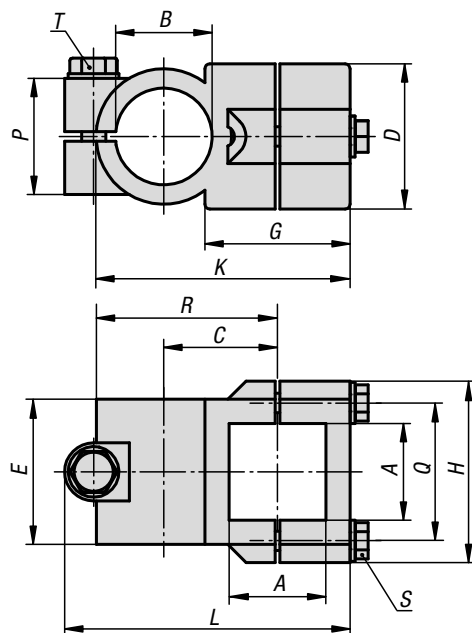
- Reducer sleeves K0491 and K0492
- Round and square tubes K0493

KIPP Tube clamps cross, plastic

Order No.	A	B
K0474.3030	30	30

Tube clamps cross

aluminium



Material:

Cast aluminium.
Screws and nuts steel.

Version:

Vibratory ground.
Screws and nuts electro zinc-plated.

Sample order:

K0474.53030

On request:

Clamping levers for fastening and other diameters.

Accessories:

- Round and square tubes K0493

KIPP Tube clamps cross, aluminium

Order No.	A	B	C	D	E	G	H	K	L	P	Q	R	S	T
K0474.53030	30,2	30,1	33	45	45	40	62	76	86	33	46	55	M8x35	M8x35
K0474.54040	40,3	40,2	47	60	60	60	75	105	117	48	57	75	M8x45	M10x50