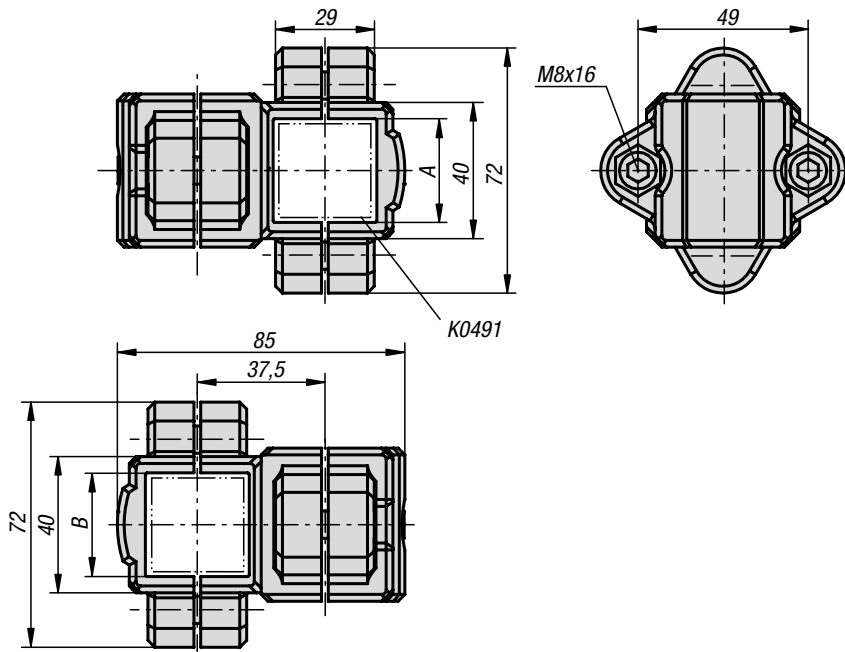


Tube clamps cross

plastic



Material:

Thermoplastic.
DIN 7984 screws and DIN 985 nuts steel.

Version:

Black.
Screws and nuts electro zinc-plated.

Sample order:

K0473.3030

Note:

These cross clamps are for 30 mm square tubes.
Use reducer sleeves K0491 if smaller tubes are to be clamped or a conversion from square to round tubes is required.

On request:

Plastic clamping levers for tightening.

Accessories:

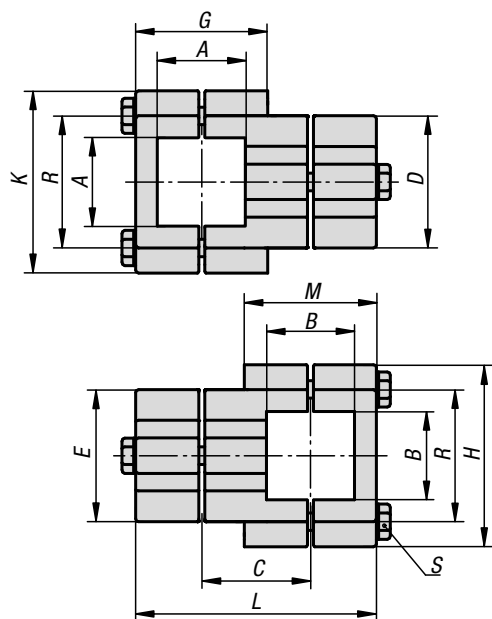
- Reducer sleeves K0491
- Round and square tubes K0493

KIPP Tube clamps cross, plastic

Order No.	A	B
K0473.3030	30	30

Tube clamps cross

aluminium



Material:

Cast aluminium.
Screws and nuts steel.

Version:

Vibratory ground.
Screws and nuts electro zinc-plated.

Sample order:

K0473.523030

On request:

Levers for locking and other sizes for square tube.

Accessories:

- Round and square tubes K0493

KIPP Tube clamps cross, aluminium

Order No.	A	B	C	D	E	G	H	K	L	M	R	S
K0473.523030	30,2	30,2	38	45	45	44	64	64	83	44	46	M8x45
K0473.524040	40,3	40,3	50	60	60	61	75	75	111	61	57	M8x60