

Tube clamps cross

plastic



Material:
Thermoplastic.
DIN 7984 screws and DIN 985 nuts steel.

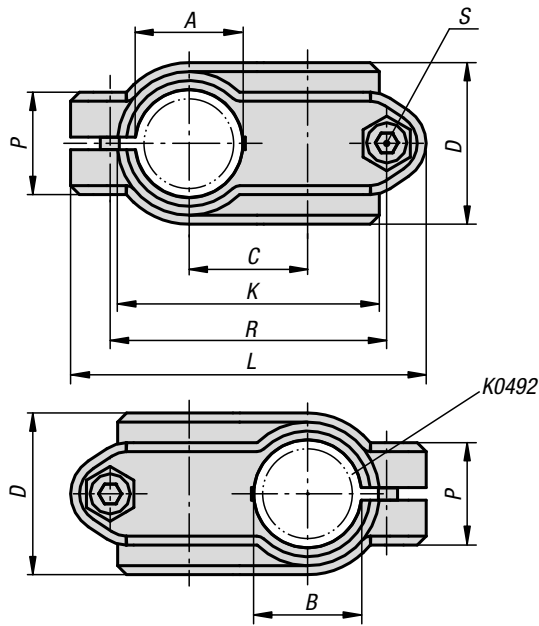
Version:
Black.
Screws and nuts electro zinc-plated.

Sample order:
K0472.1818

Note:
The standard size for round tubes is $\varnothing 18$ mm or $\varnothing 30$ mm.
Use reducer sleeves K0492 if smaller tubes are to be clamped or a conversion from round to square tubes is required.

On request:
Plastic clamping levers for tightening.

Accessories:
- Reducer sleeves K0492
- Round and square tubes K0493



KIPP Tube clamps cross, plastic

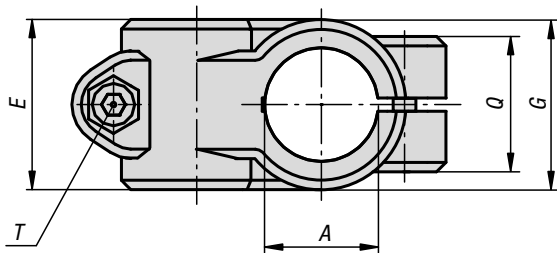
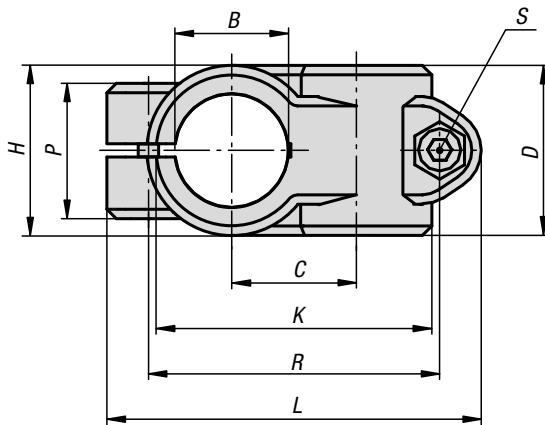
Order No.	A	B	C	D	K	L	P	R	S
K0472.1818	18	18	20	30	48	63	21	48	M6x18
K0472.3030	30	30	33	45	72	99	28,5	77	M8x25

Application using tube clamps



Tube clamps cross

aluminium



Material:

Cast aluminium.
DIN 7984 screws and DIN 985 nuts, steel.

Version:

Vibratory ground.
Screws and nuts electro zinc-plated.

Sample order:

K0472.51818

On request:

Clamping levers for tightening.

Accessories:

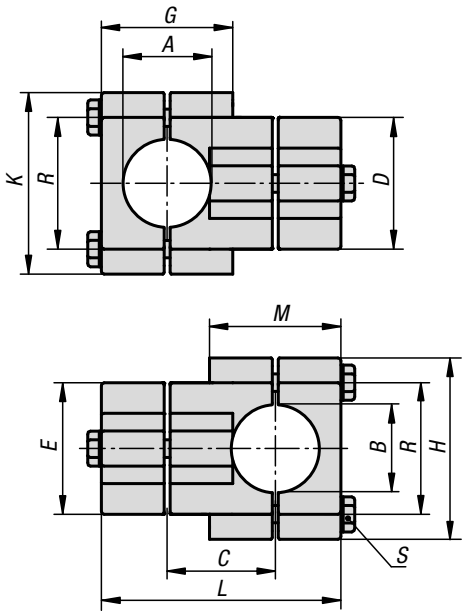
- Round and square tubes K0493

KIPP Tube clamps cross, aluminium

Order No.	A	B	C	D	E	G	H	K	L	P	Q	R	S	T
K0472.51212	12,1	12,1	20	25,5	25,5	-	-	43,5	67	23	23	49	M6x20	M6x20
K0472.51414	14,1	14,1	20	25,5	25,5	-	-	43,5	67	23	23	49	M6x20	M6x20
K0472.51515	15,1	15,1	20	25,5	25,5	-	-	43,5	67	23	23	49	M6x20	M6x20
K0472.51616	16,1	16,1	20	25,5	25,5	-	-	43,5	67	23	23	49	M6x20	M6x20
K0472.51818	18,1	18,1	20	25,5	25,5	-	-	43,5	67	23	23	49	M6x20	M6x20
K0472.52014	20,1	14,1	27	40	33	40	26	59	84	21	33	65	M8x25	M6x20
K0472.52020	20,1	20,1	33	40	40	-	-	73	101	33	33	78	M8x25	M8x25
K0472.52514	25,1	14,1	27	40	33	40	26	59	84	21	33	65	M8x25	M6x20
K0472.52525	25,1	25,1	33	40	40	-	-	73	101	33	33	78	M8x25	M8x25
K0472.53014	30,1	14,1	27	40	33	40	26	59	84	21	33	65	M8x25	M6x20
K0472.53030	30,1	30,1	33	40	40	-	-	73	101	33	33	78	M8x25	M8x25
K0472.54020	40,17	20,1	36	50	40	52	32	60	110	33	40	86,5	M10x30	M8x25
K0472.54030	40,17	30,1	45	65	65	65	45	98	137,5	44	44	108,5	M10x30	M10x30
K0472.54040	40,17	40,17	45	60	60	-	-	100	137	40	40	111	M10x30	M10x30
K0472.55030	50,22	30,1	45	65	65	65	45	98	137,5	44	44	108,5	M10x35	M10x35
K0472.55050	50,2	50,2	53	70	70	-	-	118	154	45	45	128	M10x35	M10x35

Tube clamps cross

aluminium



Material:
Cast aluminium.
Screws and nuts steel.

Version:
Vibratory ground.
Screws and nuts electro zinc-plated.

Sample order:
K0472.523030

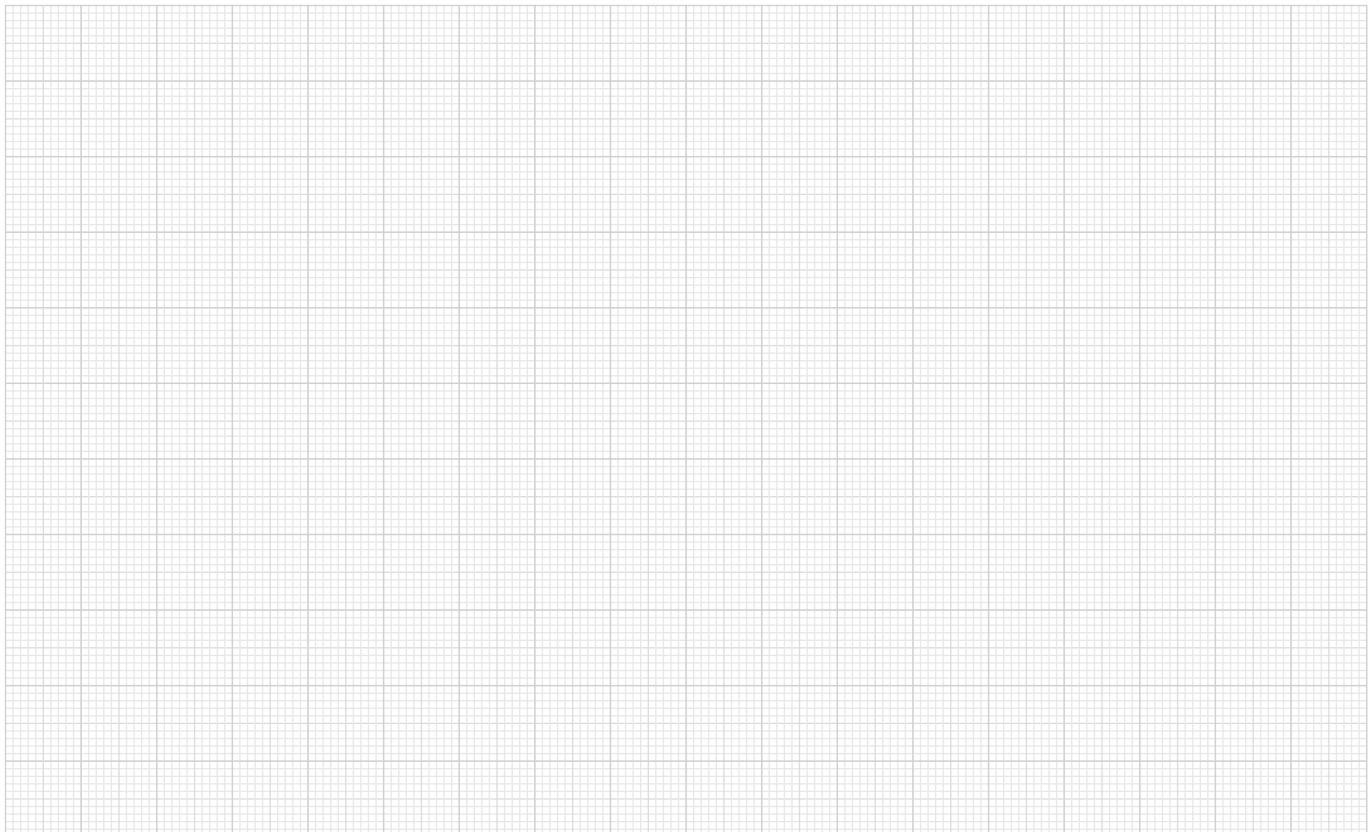
On request:
Clamping levers for tightening and other diameters.

Accessories:
- Round and square tubes K0493

KIPP Tube clamps cross, aluminium

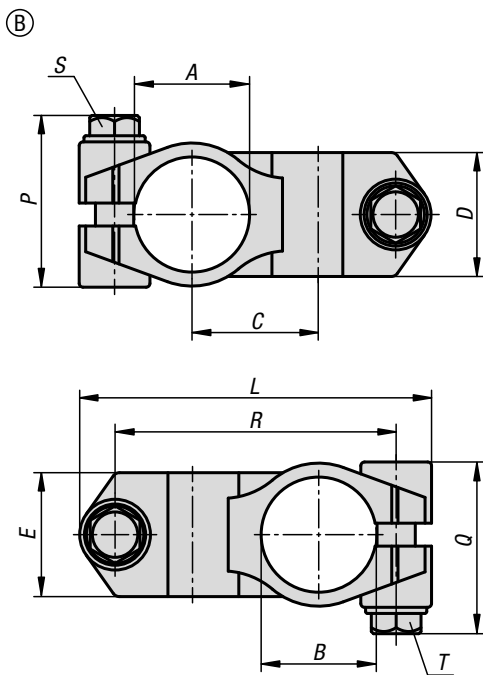
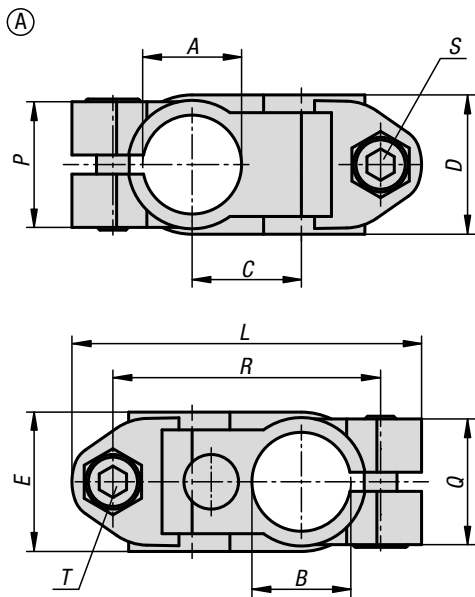
Order No.	A	B	C	D	E	G	H	K	L	M	R	S
K0472.523030	30,2	30,2	38	45	45	44	64	64	83	44	46	M8x45
K0472.524040	40,2	40,2	50	60	60	61	75	75	111	61	57	M8x60

Notes



Tube clamps cross

stainless steel



Material:

Investment cast 1.4308 stainless steel.
ISO 4762 cap screw and ISO 4032 hex nut, stainless steel.
From ø30 mm ISO 4017 hex head bolt, stainless steel.

Version:

Electropolished.

Sample order:

K0472.11212

Note:

The tube clamps with diameters 30 and 40 mm have a silicone sleeve that protects the thread of the hex head screw from contamination and damage.

On request:

Clamping levers for tightening.

Accessories:

- Round and square tubes K0493

KIPP Tube clamps cross, stainless steel

Order No.	Form	A	B	C	D	E	L	P	Q	R	S	T
K0472.11212	A	12,1	12,1	20	25,5	25,5	64	23	23	49	M6x18	M6x18
K0472.11414	A	14,1	14,1	20	25,5	25,5	64	23	23	49	M6x18	M6x18
K0472.11616	A	16,1	16,1	20	25,5	25,5	64	23	23	49	M6x18	M6x18
K0472.11818	A	18,1	18,1	20	25,5	25,5	64	23	23	49	M6x18	M6x18
K0472.12020	A	20,1	20,1	21	25,5	25,5	64	23	23	49	M6x18	M6x18
K0472.13030	B	30,1	30,1	33	32,4	32,4	92	45,5	45,5	73,5	M8x30	M8x30
K0472.14040	B	40,17	40,17	42	40,4	40,4	118	52	52	95,5	M10x35	M10x35