



Material, version:

1. Filler housing chrome steel
2. Air filter polyurethane (PU foam), filter mesh 40 µm.
Flow rate up to 720 l/min
3. Flat seal cork
4. Mounting flange with fastening screws, bayonet fitting
5. Flat seal cork
6. Chain nickel-plated brass
7. Filler sieve electro zinc-plated steel

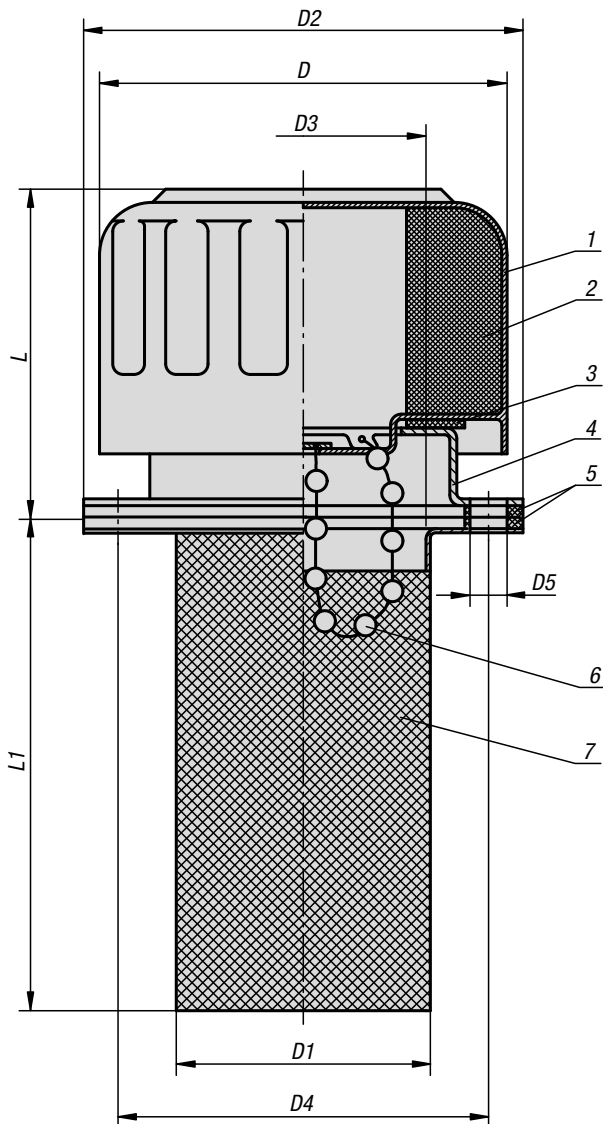
Sample order:

K0471.45

Note:

The filler necks are supplied with seals and M5 fastening screws.

Not suitable for water tanks.



KIPP Filler necks

Order No.	Version 1	D	D1	D2	D3	D4	D5	L	L1
K0471.45	without chain	46,5	27,5	52	25	41,3	6 (3x)	43	66
K0471.77	with chain	80	49	83	44	71,5	6 (6x)	57	80