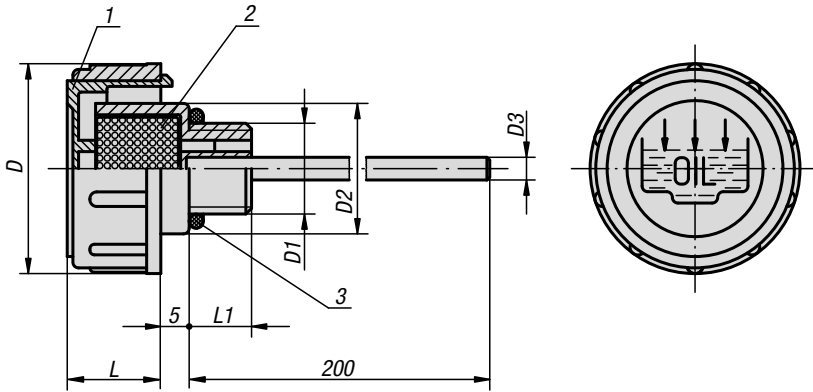


## Vent screws

with dipstick



**Material:**

Housing and cap thermoplastic polyamide 66.  
Air filter polyurethane (PU foam).  
Dipstick zinc.  
O-ring NBR, Shore 70.

**Version:**

Housing black.  
Cap red.  
Filter mesh 50 µm.  
Dipstick phosphated.

**Sample order:**

K0465.141012

**Note:**

The removable cap allows easy cleaning of the air filter.

Form A: without air filter

Form B: with air filter

**Temperature range:**

Temperature resistant with oil up to 100°C.

**On request:**

Min-Max markings.

**Drawing reference:**

- 1) cap
- 2) air filter Form B only
- 3) O-ring

### KIPP Vent screws with dipstick

Order No.	Form	D	D1	D2	D3	L	L1
K0465.136038	A	36	G3/8	23	4	17	11
K0465.141012	A	41	G1/2	28	4	18	12
K0465.147034	A	47	G3/4	33	5	17	12
K0465.152100	A	52	G1	38	5	20	12
K0465.163114	A	63	G1 1/4	49	5	23	13
K0465.163112	A	63	G1 1/2	55	5	23	13,5
K0465.1361615	A	36	M16x1,5	23	4	17	11
K0465.1411815	A	41	M18x1,5	28	4	17,5	12
K0465.1412015	A	41	M20x1,5	28	4	17,5	12
K0465.1412215	A	41	M22x1,5	28	4	17,5	12
K0465.236038	B	36	G3/8	23	4	17	11
K0465.241012	B	41	G1/2	28	4	18	12
K0465.247034	B	47	G3/4	33	5	17	12
K0465.252100	B	52	G1	38	5	20	12
K0465.263114	B	63	G1 1/4	49	5	23	13
K0465.263112	B	63	G1 1/2	55	5	23	13,5
K0465.2361615	B	36	M16x1,5	23	4	17	11
K0465.2411815	B	41	M18x1,5	28	4	17,5	12
K0465.2412015	B	41	M20x1,5	28	4	17,5	12
K0465.2412215	B	41	M22x1,5	28	4	17,5	12

