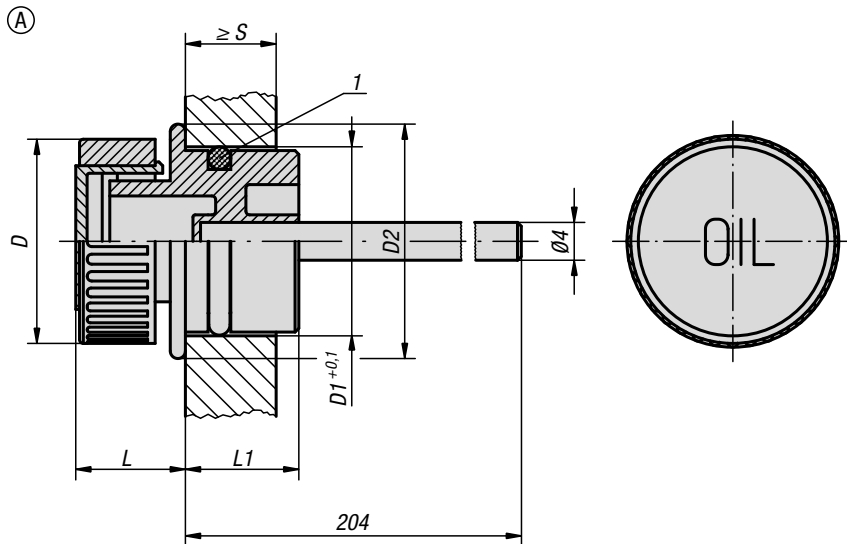


Press-in plugs

with dipstick



Material:

Housing and cap thermoplastic polyamide 66.
Air filter polyurethane (PU foam).
Dipstick zinc.
O-ring NBR, Shore 70.

Version:

Housing black.
Cap red.
Filter mesh 50 µm.
Dipstick phosphated.

Sample order:

K0462.13018

Temperature range:

Temperature resistant with oil up to 100°C.

On request:

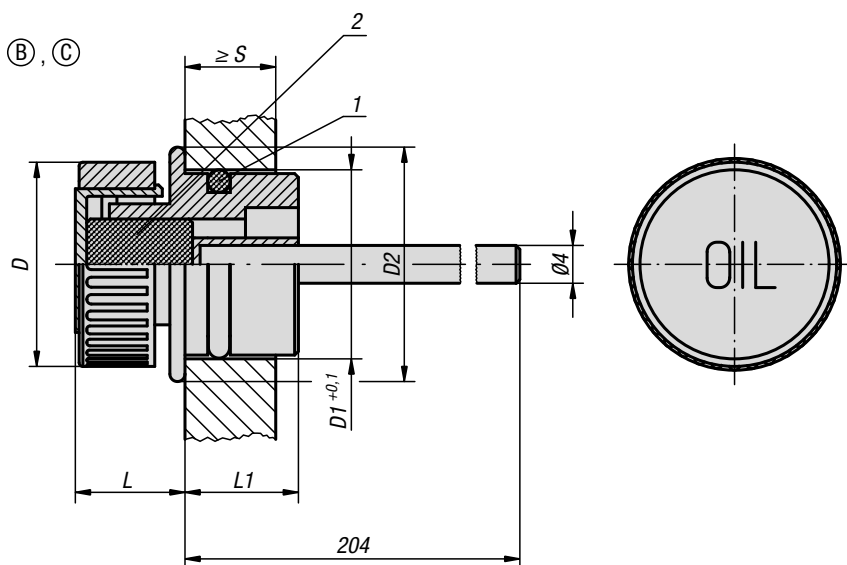
Min-Max markings.

Drawing reference:

Form A: without vent
Form B: with vent
Form C: with vent and air filter

1) O-ring

2) air filter Form C only



KIPP Press-in plugs with dipstick

Order No. Form A	Order No. Form B	Order No. Form C	D	D1	D2	L	L1	S min.
K0462.13018	K0462.23018	K0462.33018	30	18	23	14	14	8