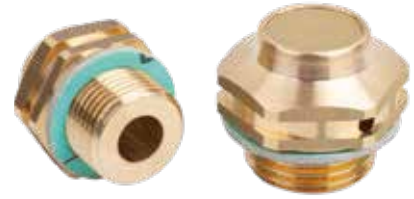
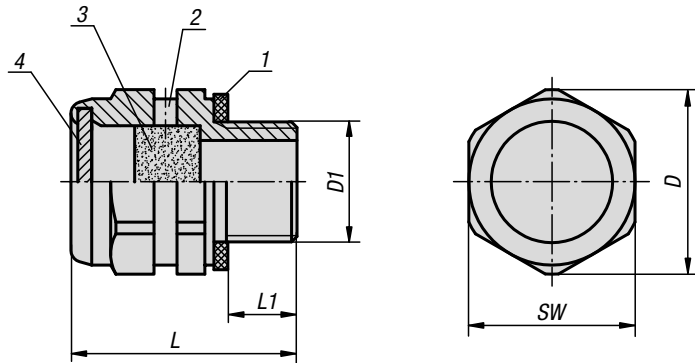


Vent screws brass



Material:

Housing and cap brass.
Air filter electro zinc-plated steel wire mesh.

Version:

Air filter mesh 50 - 60 µm.
Flat seal asbestos-free.

Sample order:

K0460.20014

Drawing reference:

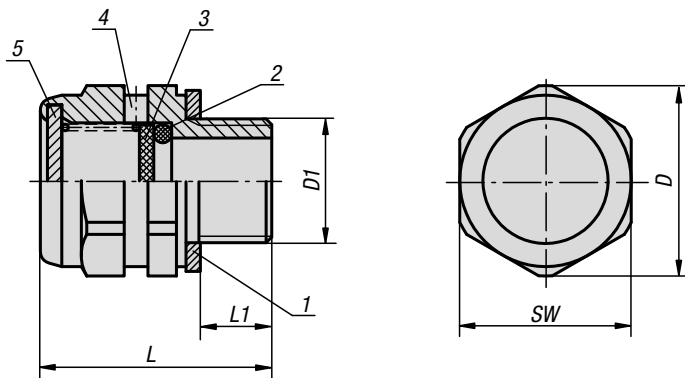
- 1) flat seal
- 2) vent hole 2x
- 3) air filter
- 4) cap

KIPP Vent screws brass

Order No.	D	D1	L	L1	SW
K0460.20014	20	G1/4	24,5	7,5	18
K0460.24038	24,5	G3/8	24,5	8,5	22
K0460.30012	30	G1/2	24,5	8,5	27

Vent screws brass

with check valve



Material:

Housing and cap brass.
Spring stainless steel.
Lift disc brass.
O-ring NBR.

Version:

Flat seal asbestos-free.

Sample order:

K0461.20014

Note:

Opening pressure 0.35 bar (±0,05).

Functional principle:

See K0459 vent screws with check valve.

KIPP Vent screws brass with check valve

Order No.	D	D1	L	L1	SW
K0461.20014	20	G1/4	24,3	7,5	18
K0461.24038	24,5	G3/8	24,5	8,5	22
K0461.30012	30	G1/2	24,5	8,5	27

Drawing reference:

- 1) flat seal
- 2) O-ring
- 3) lift disc
- 4) vent hole 2x
- 5) cap