

## Vent screws

with check valve



**Material:**

Housing and cap thermoplastic polyamide 66.  
Spring stainless steel.  
Lift disc and flat seal rubber (NBR).

**Version:**

Housing black.  
Cap red.

**Sample order:**

K0459.30014

**Note:**

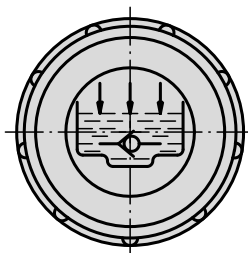
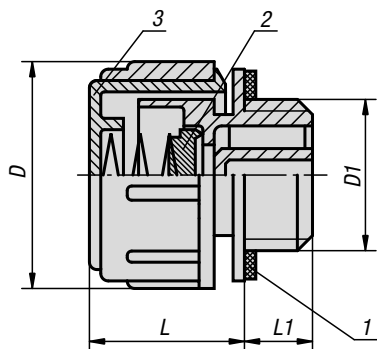
Opening pressure 0.20 – 0.25 bar.

**Temperature range:**

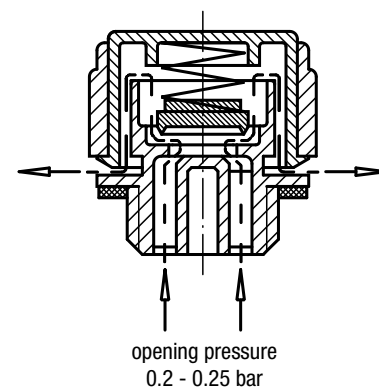
Temperature resistant with oil up to 100°C.

**Drawing reference:**

- 1) flat seal
- 2) lift disc
- 3) cap



**Operating principle**



**KIPP Vent screws with check valve**

Order No.	D	D1	L	L1
K0459.30014	30	G1/4	21	10
K0459.30038	30	G3/8	21	10
K0459.30012	30	G1/2	21	10