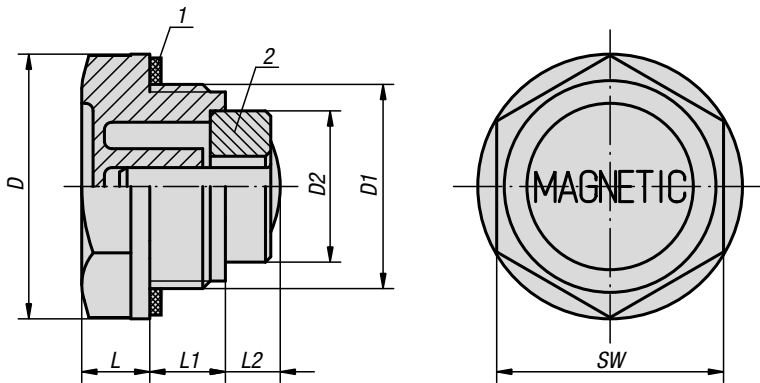


Screw plugs with magnet



Material:

Thermoplastic polyamide 66. Ferrite permanent magnet.

Version:

Black. Flat seal asbestos-free

Sample order:

K0452.22038

Note:

The magnetic effect of the screw plug attracts iron particles in the oil. Screwing the plug into the drain outlet diminishes possible damage to mechanical components.

Temperature range:

Temperature resistant with oil up to 100°C.

Drawing reference:

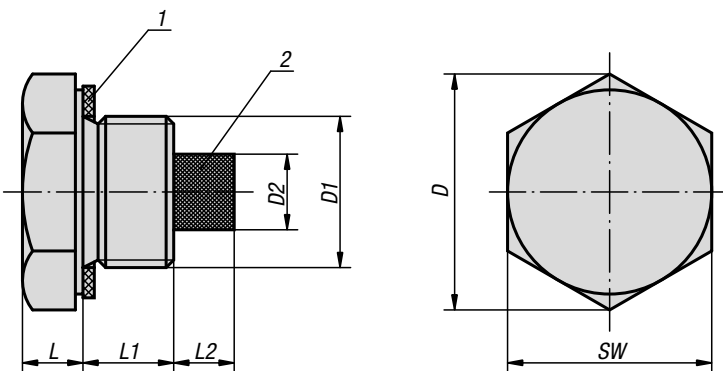
- 1) flat seal
- 2) magnet

KIPP Screw plugs with magnet

Order No.	D	D1	D2	L	L1	L2	SW
K0452.20014	20	G1/4	8	7	9	5	17
K0452.22038	22	G3/8	13	7,5	10	10	18
K0452.27012	27	G1/2	13	8	11	9	24
K0452.34034	34	G3/4	19,6	9	11	6,5	30
K0452.42100	42	G1	19,6	10,5	12	14	35
K0452.201415	20	M14X1,5	8	7	9	5	17

Screw plugs aluminium

with magnet



Material:

Aluminium. Ferrite permanent magnet.

Version:

Bright. Flat seal asbestos-free.

Sample order:

K0453.24038

Note:

The magnetic effect of the screw plug attracts iron particles in the oil. Screwing the plug into the drain outlet diminishes possible damage to mechanical components.

Drawing reference:

- 1) flat seal
- 2) magnet

KIPP Screw plugs aluminium with magnet

Order No.	D	D1	D2	L	L1	L2	SW
K0453.21014	21	G1/4	5	7	10	6	19
K0453.24038	24,5	G3/8	8	7	10	7	22
K0453.30012	30	G1/2	10	8	10	7	27
K0453.36034	36,5	G3/4	13	8	10	7	34
K0453.42100	42,5	G1	13	8	14	7	40