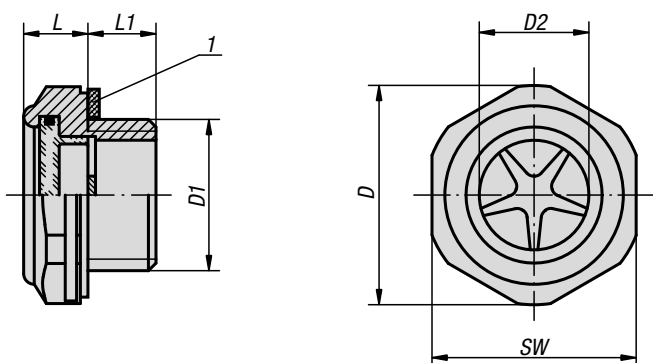


## Oil level sight glasses

aluminium



**Material:**

Housing in aluminium.  
Reflector in aluminium or white plastic.  
Polyamide viewing lens.

**Version:**

Transparent viewing lens,  
temperature-resistant with oil up to 100 °C,  
with water up to 70 °C.  
Flat seal, asbestos-free.

**Sample order:**

K0448.29012

**Note:**

The G3/8" and M18x1.5 versions have a white plastic reflector.

**Drawing reference:**

1) flat seal

### KIPP Oil level sight glasses, aluminium

Order No.	D	D1	D2	L	L1	SW	Tightening torque max. Nm	Pressure load max. bar
K0448.20014	20	G1/4	11	8	8	17	4	10
K0448.24038	24,1	G3/8	12,7	9,5	9	22	10	10
K0448.29012	29,7	G1/2	15	10	9	27	15	10
K0448.36034	35,2	G3/4	21,9	10	11	32	22	10
K0448.42100	44,1	G1	25,1	11	11	40	-	10
K0448.52114	55	G1 1/4	34	13,5	12	50	-	10
K0448.241815	24,5	M18X1,5	13	10	9	22	12	10
K0448.292215	29,5	M22X1,5	16	10	9	27	15	10