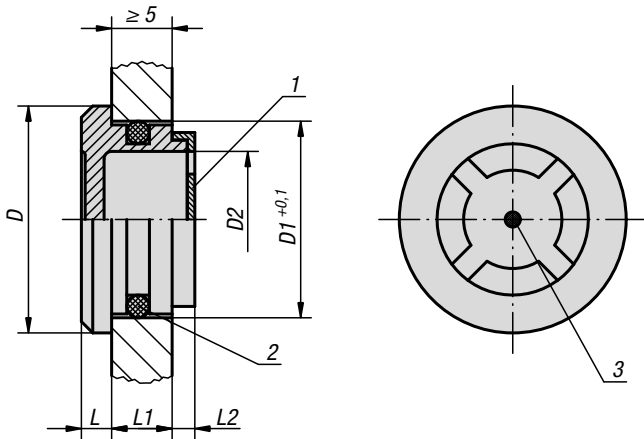


Oil level sight glasses

press-in



Material:
Housing thermoplastic polyamide.
O-ring NBR, Shore 70.
Reflector plastic.

Version:
Housing, transparent, high mechanical stability, non-ageing, temperature resistant up to 90 °C, resistant to solvents but not to alcohol or frost.
Reflector white.

Sample order:
K0446.3026

Note:
For use where there is no internal pressure.

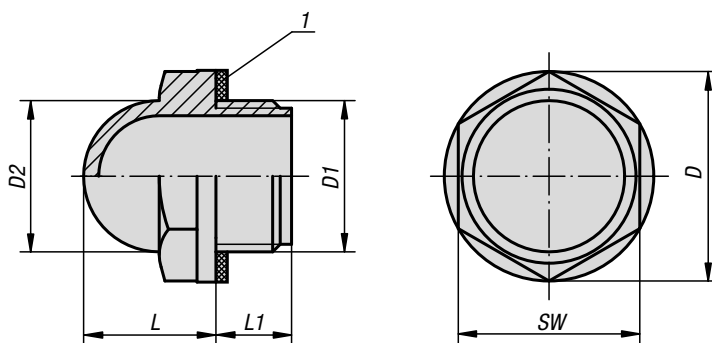
Drawing reference:
1) reflector
2) O-ring
3) check mark

KIPP Oil level sight glasses, press-in

Order No.	D	D1	D2	L	L1	L2
K0446.2420	24	20	14	4	7	3
K0446.3026	30	26	20	4	8	3,5
K0446.3632	36	32	24	4	9	4
K0446.4238	42	38	30	4	10	4
K0446.4440	44	40	32	4	10	4

Oil level sight glasses

domed



Material:
Housing in thermoplastic polyamide.

Version:
Housing, transparent, high mechanical stability, non-ageing, temperature resistant with oil up to 100 °C, with water up to 70 °C.
Resistant to solvents but not alcohol.
Flat seal, asbestos-free.

Sample order:
K0447.28012

On request:
Rubber gasket (NBR).

Drawing reference:
1) flat seal

KIPP Oil level sight glasses, domed

Order No.	D	D1	D2	L	L1	SW	Tightening torque max. Nm
K0447.22038	22	G3/8	15	14	10	19	8
K0447.28012	28	G1/2	20	17	10	24	12
K0447.35034	35	G3/4	25	20	10	30	16
K0447.42100	42	G1	31	24	10,5	36	20