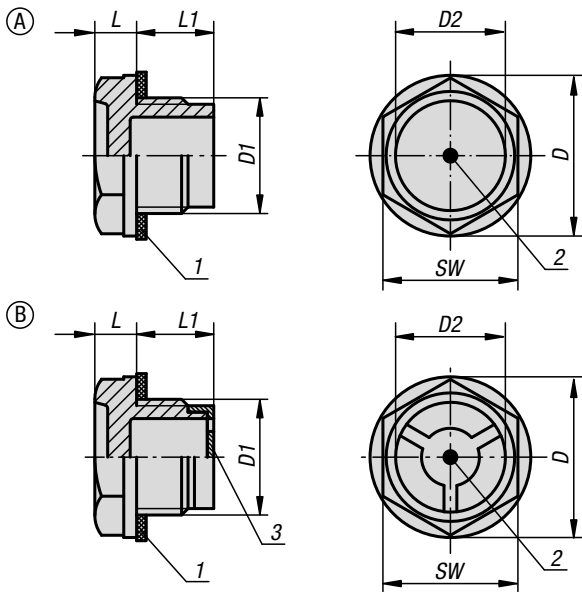


Oil level sight glasses



Material:

Housing in thermoplastic polyamide.
Plastic reflector.

Version:

Housing, transparent, high mechanical stability, non-ageing, temperature resistant with oil up to 90 °C, resistant to solvents but not to alcohol or frost.
Flat seal, asbestos-free.
Reflector white.

Sample order:

K0445.143100

On request:

Rubber gasket (NBR).

Drawing reference:

Form A: without reflector
Form B: with reflector

KIPP Oil level sight glasses

Order No.	Form	D	D1	D2	L	L1	SW	Tightening torque max. Nm
K0445.120014	A	20,5	G1/4	12	8	8,5	17	5
K0445.122038	A	22	G3/8	12	6,5	12	18	7
K0445.128012	A	28	G1/2	16	8	12	24	15
K0445.135034	A	36	G3/4	21	8,5	13,5	30	20
K0445.143100	A	42	G1	30	9	16	36	25
K0445.151114	A	51	G1 1/4	32	10	17	42	-
K0445.158112	A	58	G1 1/2	39	10	21	50	-
K0445.174200	A	74	G2	48	12	20	64	-
K0445.1201415	A	20	M14X1,5	12	7,5	8	17	5
K0445.1221615	A	22	M16X1,5	12	6,5	12,5	18	7
K0445.1251815	A	25,5	M18X1,5	14	6	12,5	21	10
K0445.1282015	A	28	M20X1,5	16	7,5	12	24	15
K0445.1282215	A	28	M22X1,5	16	7,5	12,5	24	15
K0445.1362615	A	36	M26X1,5	21	8,5	13,5	30	20
K0445.1362715	A	36	M27X1,5	21	8,5	13,5	30	20
K0445.1514015	A	51	M40X1,5	32	10	17	42	-
K0445.222038	B	22	G3/8	12	6,5	12	18	7
K0445.228012	B	28	G1/2	16	8	12	24	15
K0445.235034	B	36	G3/4	21	8,5	13,5	30	20
K0445.243100	B	42	G1	30	9	16	36	25
K0445.251114	B	51	G1 1/4	32	10	17	42	-
K0445.258112	B	58	G1 1/2	39	10	21	50	-
K0445.274200	B	74	G2	48	12	20	64	-
K0445.2221615	B	22	M16X1,5	12	6,5	12,5	18	7
K0445.2251815	B	25,5	M18X1,5	14	6	12,5	21	10
K0445.2282015	B	28	M20X1,5	16	7,5	12	24	15
K0445.2282215	B	28	M22X1,5	16	7,5	12,5	24	15
K0445.2362615	B	36	M26X1,5	21	8,5	13,5	30	20
K0445.2362715	B	36	M27X1,5	21	8,5	13,5	30	20
K0445.2514015	B	51	M40X1,5	32	10	17	42	-

- 1) flat seal
- 2) check mark
- 3) reflector