

Hinges

plastic, lift-off, with guide tabs



Material:

Fibreglass reinforced thermoplastic.
Hinge pin stainless steel.
Washer thermoplastic.

Version:

Hinge and washer black. Pin bright.

Sample order:

K0438.1322020

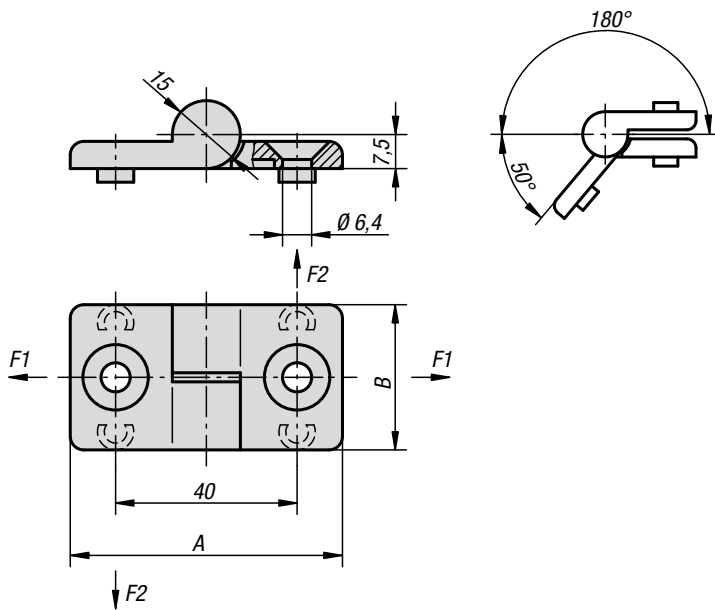
Note:

The hinges can be located in an 8 mm slot using the guide tabs.

The loading values given for the hinges are non-binding reference values without consideration of safety factors and exclude any liability. The values given are for information purposes only and do not constitute a legally binding assurance of properties.

The load values have been determined under laboratory conditions. Each user must determine individually whether the hinge is suitable for the respective application.

Different materials onto which the hinges are installed and the type of mounting, weather conditions and wear can influence the determined values.



KIPP Hinges, plastic, lift-off, with guide tabs

Order No.	Version	A	B	F1 N	F2 N
K0438.1322020	left	60	32	200	100
K0438.2322020	right	60	32	200	100