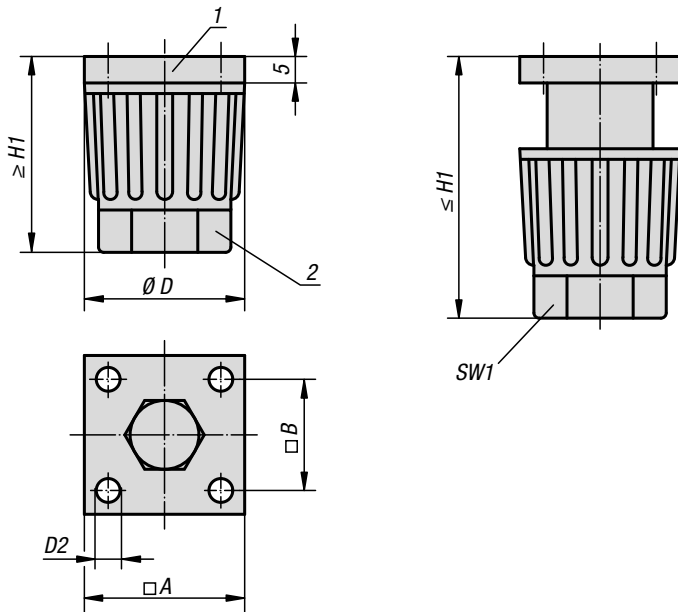


Levelling feet



Material:
Body fibreglass reinforced thermoplastic.
Hexagon head screw steel.

Version:
Body black.
Hexagon head screw electro zinc-plated.

Sample order:
K0433.3004

Note:
The flat top flange and sunken screw head make these levelling feet ideal for mounting on smooth surfaces. The foot height is adjusted by turning the base nut by hand or spanner.

Drawing reference:

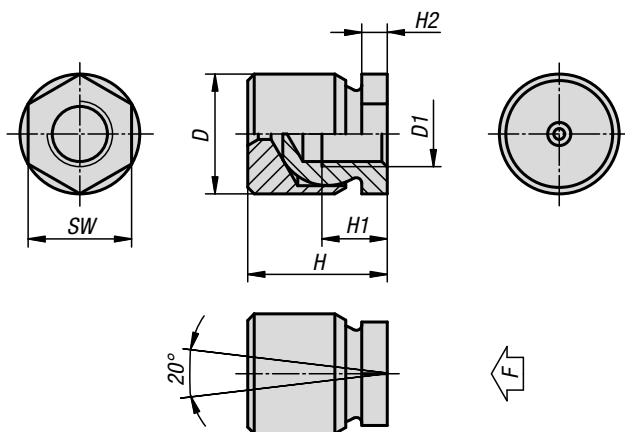
- 1) support flange
- 2) nut

KIPP Levelling feet

Order No.	A	B	D	D2 for countersunk screw	H1	SW1	Load rating max. kN (static load only)
K0433.3004	30	20,5	30	M4	35-50	22	1,5
K0433.4006	40	28	40	M6	45-65	30	1,5

K0304

Swivel thrust pads



Material:
Ball element case-hardened steel.
Thrust pad ETG 100 steel.

Version:
Black oxidised.

Sample order:
K0304.10

KIPP Swivel feet

Order No.	D	D1	H	H1	H2	SW	Load rating max. kN
K0304.05	13	M5	16,5	6,5	4	10	1,62
K0304.06	13	M6	16,5	8,5	4	10	2,33
K0304.08	16	M8	21	9	4	13	4,15
K0304.10	19	M10	23	10	4	17	6,48
K0304.12	22	M12	25,5	12	4,7	19	8,32
K0304.16	25	M16	29,5	14	5	24	13,94
K0304.20	32	M20	36	18	8,5	30	21

