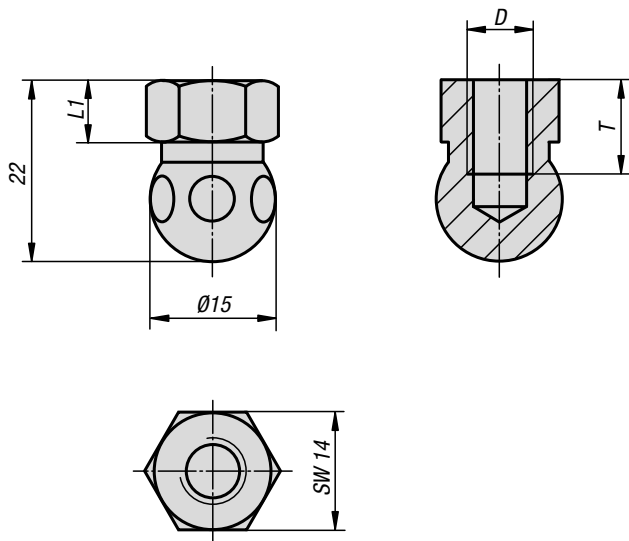


Swivel feet ball joints

with internal thread



Material:

Steel or stainless steel 1.4301.

Version:

Steel trivalent blue passivated.

Stainless steel, bright.

Sample order:

K0422.061

K0422.061 and K0415.1030 **assembled**

Note for ordering:

If the ball joint and plate are to be supplied assembled, please add the suffix “**assembled**” to the order number for the ball joint and plate.

(e.g. K0422.061 and K0415.1030 **assembled**.)

Note:

For fastening swivel feet with standard screws.

Swivel feet consist of a ball joint and a plate. Any ball joint can be combined with any plate.

The height of the complete swivel foot is calculated by the height of the hexagon + 22.5 mm.

(Overall height of swivel foot = L1 + 22.5 mm).



KIPP Swivel feet ball joints with internal thread

Order No. steel	Order No. stainless steel	D	L1	T
K0422.061	K0422.062	M6	7,5	10
K0422.081	K0422.082	M8	7,5	10