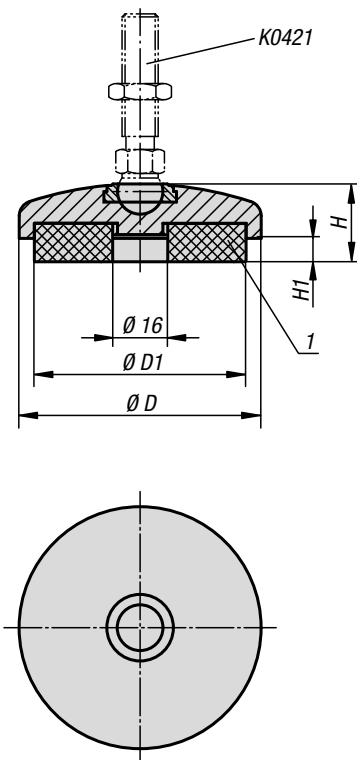


## Swivel feet plates

with vibration absorption



### Drawing reference:

1) damper plate

### Material:

Plate die-cast zinc or stainless steel 1.4305.  
Damper plate PUR elastomere (Sylomer V12).

### Version:

Die-cast zinc plate, black powder-coated.  
Stainless steel plate, bright.  
Damper plate, grey, glued in, anti-slip.  
Temp. range -30 °C to +70 °C.

### Sample order:

K0419.20601  
K0419.20601 and K0421.060151 **assembled**

### Note for ordering:

If the swivel foot plate and the threaded spindle or ball joint are to be supplied assembled, please add the suffix "**assembled**" to the order number for the plate and the spindle or ball joint.  
(e.g. K0419.20601 and K0421.060151 **assembled**.)

### Note:

The load rating given in the table is a recommendation of the **permanent static** load up to which the absorption unit should be used. This static load corresponds to a surface pressure of 0.4 N/mm<sup>2</sup>, at which the material achieves its optimum absorption properties. Here it is taken into account that under dynamic demands an additional load, up to 0.6 N/mm<sup>2</sup> may occur. The damper plate absorbs vibrations and prevents the swivel foot slipping.

Swivel feet consist of a plate and a threaded spindle or ball joint. Any plate can be combined with any threaded spindle or ball joint.

For matching threaded spindles see K0421.

For matching ball joints see K0422.

### KIPP Swivel feet plates, die-cast zinc

Order No.	D	D1	H	H1 by 0 / 0.4 / 0.6 N/mm <sup>2</sup>	Load rating max. kN
K0419.20401	40	30,5	25	7 / 5,9 / 4,8	0,062
K0419.20501	50	40,5	25	7 / 5,9 / 4,8	0,212
K0419.20601	60	50	25	7 / 5,9 / 4,8	0,433
K0419.20801	80	68	25	7 / 5,9 / 4,8	0,614

### KIPP Swivel feet plates, stainless steel

Order No.	D	D1	H	H1 by 0 / 0.4 / 0.6 N/mm <sup>2</sup>	Load rating max. kN
K0419.20402	40	30,5	25	7 / 5,8 / 4,9	0,212
K0419.20502	50	40,5	25	7 / 5,8 / 4,9	0,435
K0419.20602	60	50	25	7 / 5,8 / 4,9	0,705
K0419.20802	80	68	25	7 / 5,8 / 4,9	1,372