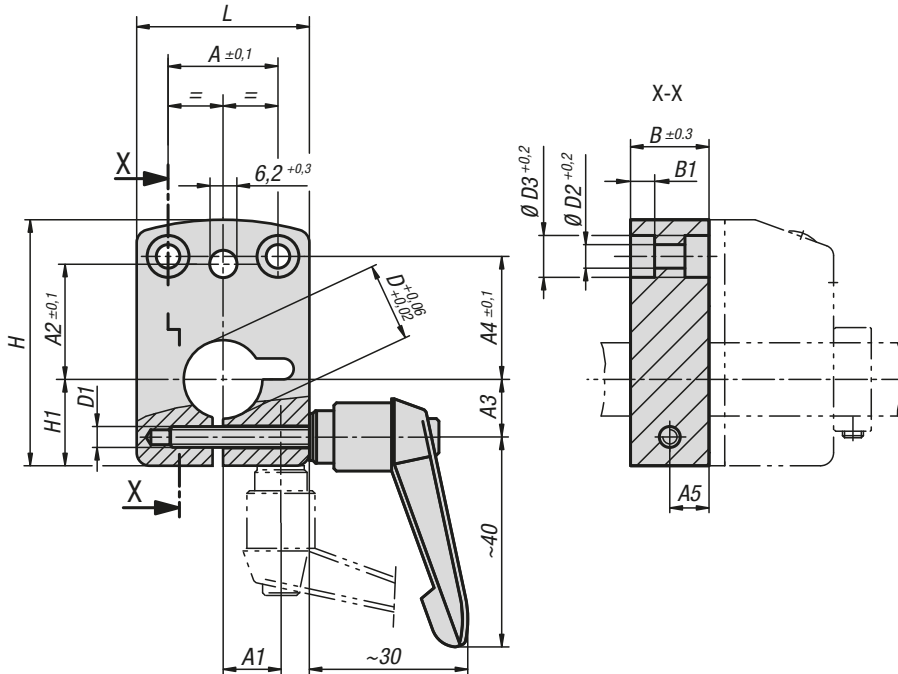


## Mounting brackets



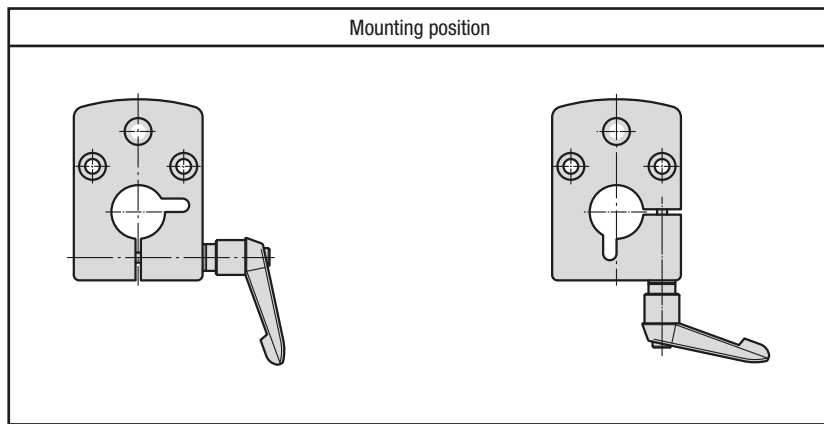
**Mounting brackets form a compact unit with position indicators. They guarantee reliable spindle clamping without additional construction work.**

**Material:**  
 Mounting position 1, housing die-cast zinc  
 Mounting position 3, housing aluminium.  
 Clamping lever plastic.

**Version:**  
 Installed position 1, housing, painted.  
 Installed position 3, housing anodised.  
 Clamping lever dark grey.

**Sample order:**  
 K0414.09121

**Note:**  
 Due to the simple assembly, the mounting bracket is also suitable for retrofitting to existing systems.



K0414. ....1

K0414. ....3



### KIPP Mounting brackets

Order No. Assembly position 1	Order No. Assembly position 3	A	A1	A2	A3	A4	A5	B	B1	D	D1	D2	D3	H	H1	L	Suitable for position indicator
K0414.04081	K0414.04083	21	-/11	22	11/-	23,5	7,5	15	4,6	8	M4	4,5	8	47	16,5	33	K0409
K0414.04101	K0414.04103	21	-/11	22	11/-	23,5	7,5	15	4,6	10	M4	4,5	8	47	16,5	33	K0409
K0414.04121	K0414.04123	21	-/11	22	11/-	23,5	7,5	15	4,6	12	M4	4,5	8	47	16,5	33	K0409
K0414.04141	K0414.04143	21	-/11	22	11/-	23,5	7,5	15	4,6	14	M4	4,5	8	47	16,5	33	K0409
K0414.09121	K0414.09123	34	-/17	30	17/-	17	10	20	5,5	12	M5	5,5	10	67,5	25,5	48	K0410
K0414.09141	K0414.09143	34	-/17	30	17/-	17	10	20	5,5	14	M5	5,5	10	67,5	25,5	48	K0410
K0414.09161	K0414.09163	34	-/17	30	17/-	17	10	20	5,5	16	M5	5,5	10	67,5	25,5	48	K0410
K0414.09201	K0414.09203	34	-/17	30	17/-	17	10	20	5,5	20	M5	5,5	10	67,5	25,5	48	K0410