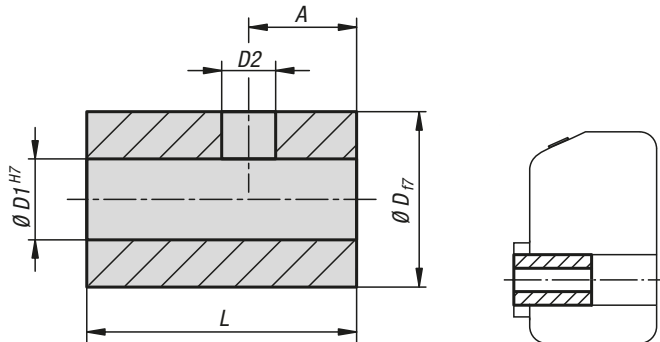


Reducing bushings



Material:
Steel.

Version:
Black oxidised.

Sample order:
K0412.1408 (diameter D1=8)

Note:
Reducing bushes are used for adapting the diameter between position indicator and positioning spindle.



KIPP Reducing bushings

Order No.	A	D	D1	D2	L	Suitable for position indicator
K0412.10**	2,5	10	6/8	3,2	14	K0408
K0412.14**	3,5	14	6/8/10/12	4,2	17	K0409
K0412.20**	4,5	20	12/14/16/18	5,5	20	K0410
K0412.30**	4	30	12/14/16/18/20/25	5,5	30	K0411

K0413

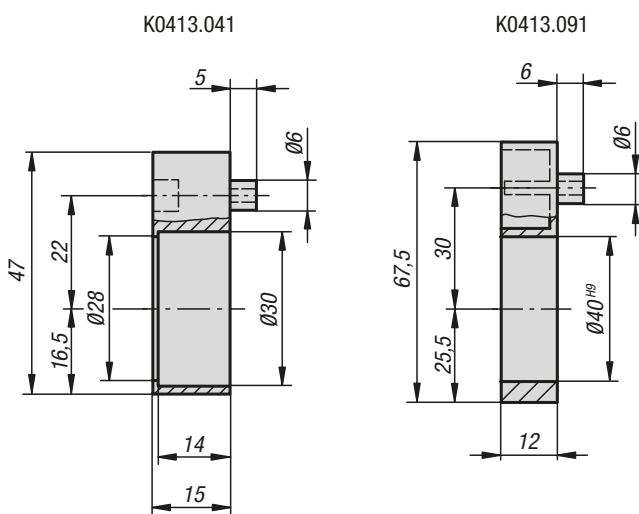
Intermediate plates



Material:
Plastic

Sample order:
K0413.041

Note:
Intermediate plates are used for mounting shaft collars and radial shaft seals.



KIPP Intermediate plates

Order No.	Suitable for position indicator
K0413.041	K0409, K0771
K0413.091	K0410, K0411