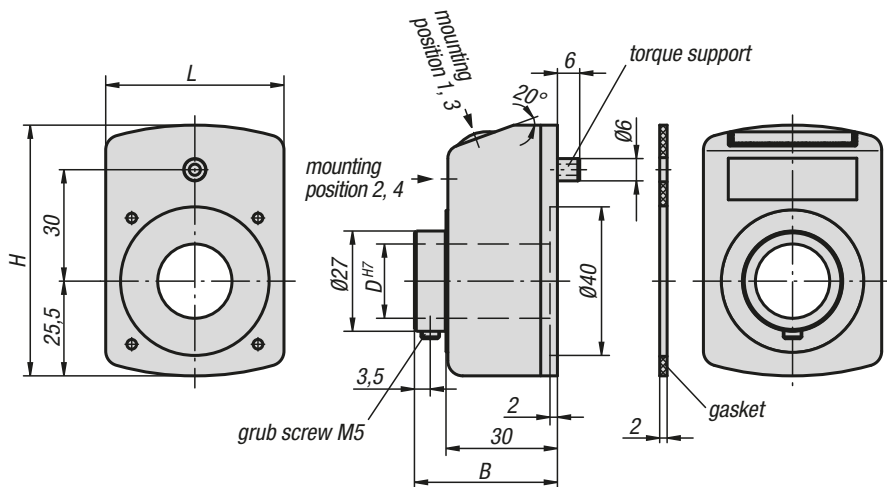


Position indicators



Material:

Housing polyamide 6.
Hollow shaft steel.
Screen plastic.
Grub screw steel.

Version:

Impact-resistant housing.
Hollow shaft black oxidised.
Grub screw black.
Dial black, digits white.

Sample order:

K0410.01002111
(Position indicator with 1 mm pitch, decimal point in second position from the right, assembly position 1, direction of count ascending clockwise, colour orange)

Note:

Position indicators allow direct reading of input measurement values at a glance. In addition the value indicated per spindle rotation (corresponding spindle pitch) can be selected and the various indicator values are realised by a transmission gear. The position indicators are distinguished by their very clear display and fine scale. They have a torque support that is positioned in a hole on the side.

** At the 1st asterisk give assembly position and at the 2nd asterisk give the count direction (see sample order "assembly position, count direction").

On request:

- Counter cover made of mineral glass
- Stainless steel driveshaft
- Axial sealing (dust-proof)
- Waterproof
- Vibration protection

Accessories:

- Reducing bushes K0412
- Insert plate K0413
- Mounting plates K0414

Technical data:

- Counter consisting of 5 10-position dials + fine scale
- Height of figures about 7 mm
- Hollow shaft $\varnothing 20$ H7 mm
- Temperature resistant to 80 °C
- Oil and solvent resistant
- Dust-proof

Display after one rotation, with decimal point:	Mounting position (1 - 4):
e. g. K0410.01002111 0100 = 1 mm increments 2 = decimal places	e. g. K0410.01002111 = mounting position 1

Count direction (1 - 2):	Colour (1 - 2):
e. g. K0410.01002111 1 = clockwise (ascending values) 2 = anticlockwise (ascending values)	e. g. K0410.01002111 1 = orange 2 = black

KIPP Position indicators

Order No. orange RAL 2004	Order No. black	B	D	H	L	Pitch	Indicator after one rotation	Decimal point in position	max. rpm
K0410.01002**1	K0410.01002**2	38,5	20	67,5	48	1	000,10	2	500
K0410.01001**1	K0410.01001**2	38,5	20	67,5	48	1	0001,0	1	500
K0410.01501**1	K0410.01501**2	38,5	20	67,5	48	1,5	0001,5	1	500
K0410.02001**1	K0410.02001**2	38,5	20	67,5	48	2	0002,0	1	500
K0410.02501**1	K0410.02501**2	38,5	20	67,5	48	2,5	0002,5	1	500
K0410.03001**1	K0410.03001**2	38,5	20	67,5	48	3	0003,0	1	500
K0410.04001**1	K0410.04001**2	38,5	20	67,5	48	4	0004,0	1	450
K0410.05001**1	K0410.05001**2	38,5	20	67,5	48	5	0005,0	1	300
K0410.06001**1	K0410.06001**2	38,5	20	67,5	48	6	0006,0	1	250
K0410.10001**1	K0410.10001**2	38,5	20	67,5	48	10	0010,0	1	150