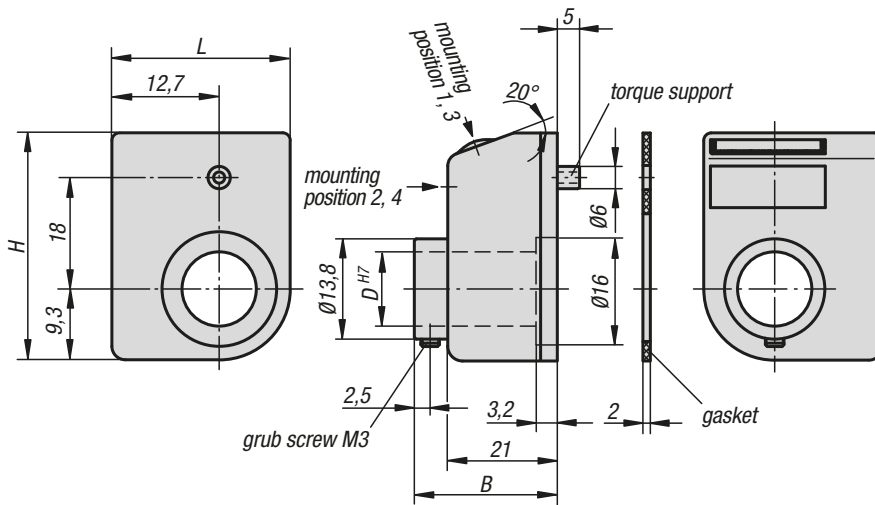


Position indicators



Material:
Housing polyamide 6.
Hollow shaft steel.
Screen plastic.
Grub screw steel.

Version:
Impact-resistant housing.
Hollow shaft black oxidised.
Grub screw black.
Dial black, digits white.

Sample order:
K0408.01001111
(Position indicator with 1 mm pitch, decimal point in first position from the right, assembly position 1, direction of count ascending clockwise, colour orange)

Note:
Position indicators allow direct reading of input measurement values at a glance. In addition, the value indicated per spindle rotation (corresponding spindle pitch) can be selected and the various indicator values are realised by a transmission gear. The position indicators are distinguished by their small construction with very clear display. They are especially suitable for small spindle distances and small shaft diameters and have a torque support that is positioned in a hole on the side.

** At the 1st asterisk give assembly position and at the 2nd asterisk give the count direction (see sample order "assembly position, count direction").

On request:
– Stainless steel driveshaft
– Indicator for inch

Accessories:
– Reducing bushes K0412

Technical data:
– Counter consisting of 3 10-position dials
– Height of figures about 4 mm
– Hollow shaft Ø 10 H7 mm
– Temperature resistant to 80 °C
– Oil and solvent resistant

Display after one rotation, with decimal point:	Mounting position (1 - 4):
<p>e. g. K0408.01001111 0100 = 1 mm increments 1 = decimal places</p>	<p>e. g. K0408.01001111 = mounting position 1</p>

Count direction (1 - 2):	Colour (1 - 2):
<p>e. g. K0408.01001111 1 = clockwise (ascending values) 2 = anticlockwise (ascending values)</p>	<p>e. g. K0408.01001111 1 = orange 2 = black</p>

KIPP Position indicators

Order No. orange RAL 2004	Order No. black	B	D	H	L	Pitch	Indicator after one rotation	Decimal point in position	Max. rpm
K0408.01001**1	K0408.01001**2	26	10	33	22	1	01,0	1	500
K0408.02001**1	K0408.02001**2	26	10	33	22	2	02,0	1	500
K0408.02501**1	K0408.02501**2	26	10	33	22	2,5	02,5	1	500
K0408.03001**1	K0408.03001**2	26	10	33	22	3	03,0	1	500
K0408.04001**1	K0408.04001**2	26	10	33	22	4	04,0	1	375
K0408.05001**1	K0408.05001**2	26	10	33	22	5	05,0	1	300
K0408.06001**1	K0408.06001**2	26	10	33	22	6	06,0	1	250
K0408.08001**1	K0408.08001**2	26	10	33	22	8	08,0	1	180
K0408.10001**1	K0408.10001**2	26	10	33	22	10	10,0	1	150