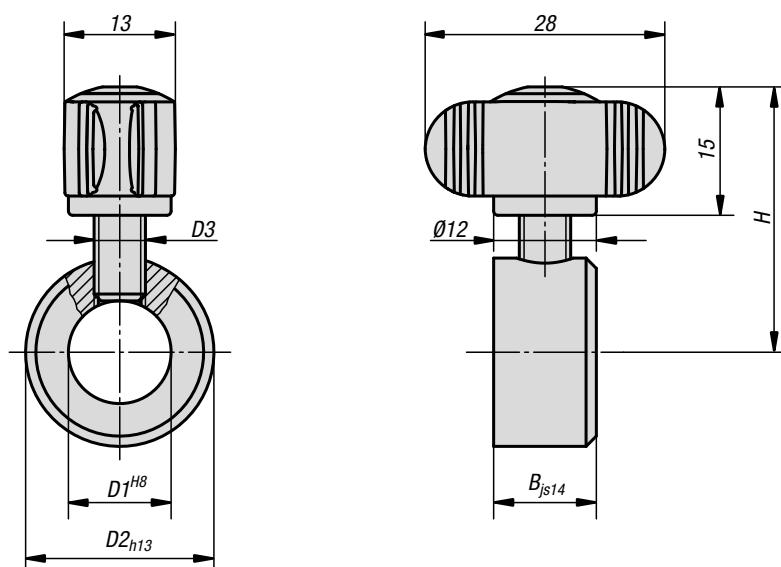


Shaft collars with wing grip

similar to DIN 705, steel



Material:

Shaft collar steel.
Wing grip thermoplastic.
Threaded pin steel grade 5.8.

Version:

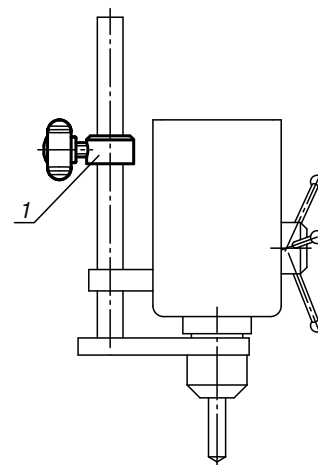
Shaft collar bright.
Wing grip black grey.
Screw blue passivated.

Sample order:

K0407.100601

Drawing reference:

1) variable stop



KIPP Shaft collars with wing grip similar to DIN 705, steel

Order No.	B	D1	D2	D3	H
K0407.100601	8	6	12	M4	26
K0407.100801	8	8	16	M4	27
K0407.101001	10	10	20	M5	30
K0407.101201	12	12	22	M6	31
K0407.101601	12	16	28	M6	33
K0407.102001	14	20	32	M6	35
K0407.102501	16	25	40	M8	37,5
K0407.103201	16	32	50	M8	46