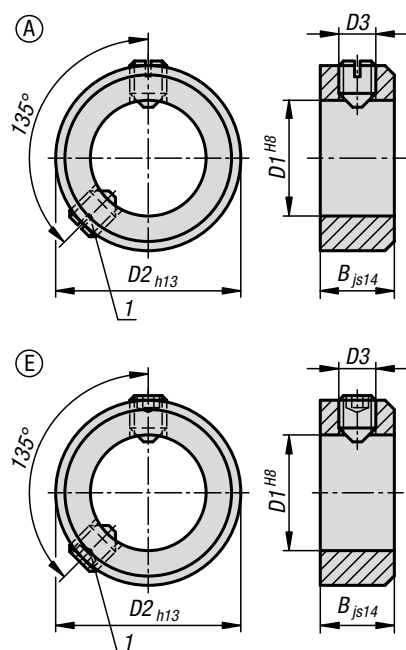


Shaft collars set screw

DIN 705, steel

**Material:**

Steel.

Version:

Bright or electro zinc-plated, trivalent blue passivated.

Sample order:

K0406.100301

Note:

Form A: with DIN 553 grub screw (slit)

Form E: with DIN 914 grub screw (hex socket)

According to DIN 705, the stated tolerances apply to blank shaft collars. The tolerances cannot be guaranteed for with electro zinc-plated shaft collars. However, this has no influence on the function.

Drawing reference:1) Second grub screw from $D1 \geq 75$

Shaft collars set screw

DIN 705, steel



KIPP Shaft collars set screw DIN 705, steel

Order No. Form A bright	Order No. Form E bright	Order No. Form E galvanised, blue-passivated	D1	B	D2	D3 grub screw
K0406.100301	K0406.300301	K0406.300303	3	5	7	M2x3
K0406.100401	K0406.300401	K0406.300403	4	5	8	M2,5x3
K0406.100501	K0406.300501	K0406.300503	5	6	10	M3x4
K0406.100601	K0406.300601	K0406.300603	6	8	12	M4x5
K0406.100701	K0406.300701	K0406.300703	7	8	12	M4x5
K0406.100801	K0406.300801	K0406.300803	8	8	16	M4x6
K0406.100901	K0406.300901	K0406.300903	9	10	18	M5x8
K0406.101001	K0406.301001	K0406.301003	10	10	20	M5x8
K0406.101101	K0406.301101	K0406.301103	11	10	20	M5x8
K0406.101201	K0406.301201	K0406.301203	12	12	22	M6x8
K0406.101401	K0406.301401	K0406.301403	14	12	25	M6x8
K0406.101501	K0406.301501	K0406.301503	15	12	25	M6x8
K0406.101601	K0406.301601	K0406.301603	16	12	28	M6x8
K0406.101801	K0406.301801	K0406.301803	18	14	32	M6x8
K0406.102001	K0406.302001	K0406.302003	20	14	32	M6x8
K0406.102401	K0406.302401	K0406.302403	24	16	40	M8x12
K0406.102501	K0406.302501	K0406.302503	25	16	40	M8x10
K0406.102601	K0406.302601	K0406.302603	26	16	40	M8x10
K0406.102801	K0406.302801	K0406.302803	28	16	45	M8x12
K0406.103001	K0406.303001	K0406.303003	30	16	45	M8x10
K0406.103201	K0406.303201	K0406.303203	32	16	50	M8x12
K0406.103501	K0406.303501	K0406.303503	35	16	56	M8x12
K0406.103601	K0406.303601	K0406.303603	36	16	56	M8x12
K0406.103801	K0406.303801	K0406.303803	38	16	56	M8x12
K0406.104001	K0406.304001	K0406.304003	40	18	63	M10x16
K0406.104201	K0406.304201	K0406.304203	42	18	63	M10x16
K0406.104501	K0406.304501	K0406.304503	45	18	70	M10x16
K0406.104801	K0406.304801	K0406.304803	48	18	70	M10x16
K0406.105001	K0406.305001	K0406.305003	50	18	80	M10x16
K0406.105201	K0406.305201	K0406.305203	52	18	80	M10x16
K0406.105501	K0406.305501	K0406.305503	55	18	80	M10x16
K0406.105601	K0406.305601	K0406.305603	56	18	80	M10x16
K0406.105801	K0406.305801	K0406.305803	58	20	90	M10x16
K0406.106001	K0406.306001	K0406.306003	60	20	90	M10x16
K0406.106301	K0406.306301	K0406.306303	63	20	90	M10x16
K0406.106501	K0406.306501	K0406.306503	65	20	100	M10x20
K0406.106801	K0406.306801	K0406.306803	68	20	100	M10x20
K0406.107001	K0406.307001	K0406.307003	70	20	100	M10x20
K0406.107201	K0406.307201	K0406.307203	72	20	100	M10x20
K0406.107501	K0406.307501	K0406.307503	75	22	110	M12x20
K0406.108001	K0406.308001	K0406.308003	80	22	110	M12x20
K0406.108501	K0406.308501	K0406.308503	85	22	125	M12x25
K0406.109001	K0406.309001	K0406.309003	90	22	125	M12x20
K0406.110001	K0406.310001	K0406.310003	100	25	140	M12x25



Shaft collars set screw

DIN 705, stainless steel



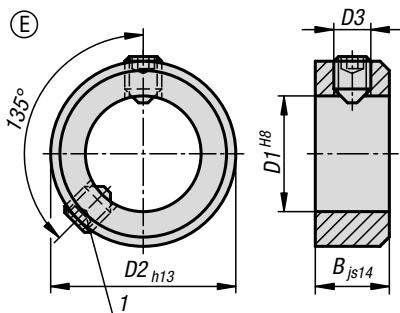
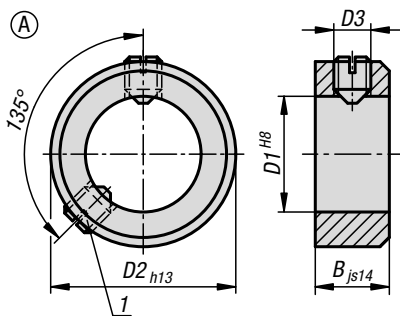
Material:
Stainless steel 1.4305.

Version:
Bright.

Sample order:
K0406.100302

Note:
Form A: with grub screw DIN 553 (recess)
Form E: with grub screw DIN 914 (hexagon socket)

Drawing reference:
1) Second grub screw from $D1 \geq 75$



Shaft collars set screw

DIN 705, stainless steel



KIPP Shaft collars set screw DIN 705, stainless steel

Order No. Form A	Order No. Form E	D1	B	D2	D3 grub screw
K0406.100302	K0406.300302	3	5	7	M2x3
K0406.100402	K0406.300402	4	5	8	M2,5x3
K0406.100502	K0406.300502	5	6	10	M3x4
K0406.100602	K0406.300602	6	8	12	M4x5
K0406.100702	K0406.300702	7	8	12	M4x5
K0406.100802	K0406.300802	8	8	16	M4x6
K0406.100902	K0406.300902	9	10	18	M5x8
K0406.101002	K0406.301002	10	10	20	M5x8
K0406.101102	K0406.301102	11	10	20	M5x8
K0406.101202	K0406.301202	12	12	22	M6x8
K0406.101402	K0406.301402	14	12	25	M6x8
K0406.101502	K0406.301502	15	12	25	M6x8
K0406.101602	K0406.301602	16	12	28	M6x8
K0406.101802	K0406.301802	18	14	32	M6x8
K0406.102002	K0406.302002	20	14	32	M6x8
K0406.102402	K0406.302402	24	16	40	M8x12
K0406.102502	K0406.302502	25	16	40	M8x10
K0406.102602	K0406.302602	26	16	40	M8x10
K0406.102802	K0406.302802	28	16	45	M8x12
K0406.103002	K0406.303002	30	16	45	M8x10
K0406.103202	K0406.303202	32	16	50	M8x12
K0406.103502	K0406.303502	35	16	56	M8x12
K0406.103602	K0406.303602	36	16	56	M8x12
K0406.103802	K0406.303802	38	16	56	M8x12
K0406.104002	K0406.304002	40	18	63	M10x16
K0406.104202	K0406.304202	42	18	63	M10x16
K0406.104502	K0406.304502	45	18	70	M10x16
K0406.104802	K0406.304802	48	18	70	M10x16
K0406.105002	K0406.305002	50	18	80	M10x16
K0406.105202	K0406.305202	52	18	80	M10x16
K0406.105502	K0406.305502	55	18	80	M10x16
K0406.105602	K0406.305602	56	18	80	M10x16
K0406.105802	K0406.305802	58	20	90	M10x16
K0406.106002	K0406.306002	60	20	90	M10x16
K0406.106302	K0406.306302	63	20	90	M10x16
K0406.106502	K0406.306502	65	20	100	M10x20
K0406.106802	K0406.306802	68	20	100	M10x20
K0406.107002	K0406.307002	70	20	100	M10x20
K0406.107202	K0406.307202	72	20	100	M10x20
K0406.107502	K0406.307502	75	22	110	M12x20
K0406.108002	K0406.308002	80	22	110	M12x20
K0406.108502	K0406.308502	85	22	125	M12x25
K0406.109002	K0406.309002	90	22	125	M12x20
K0406.110002	K0406.310002	100	25	140	M12x25

