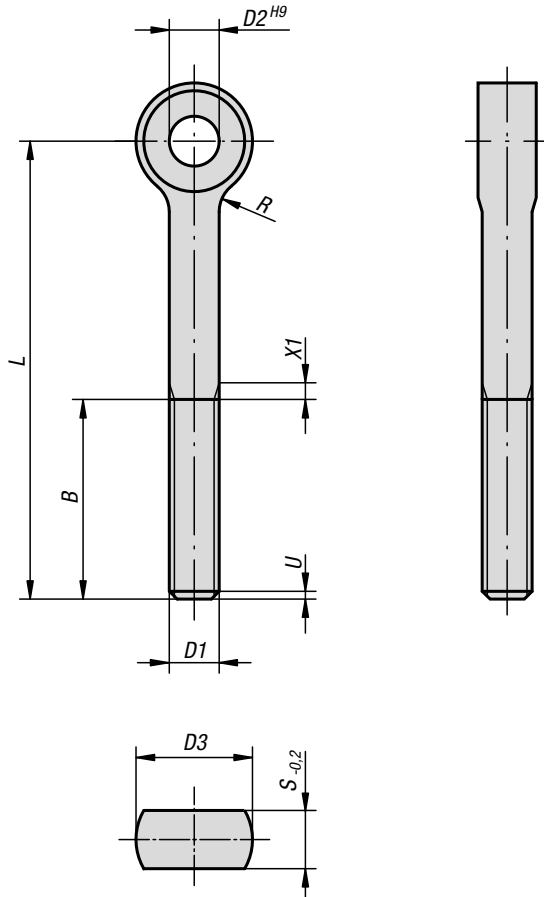


## Eye bolts

DIN 444, Form B



**Material:**

Steel or stainless steel A2.

**Version:**

Steel grade 8.8, black oxidised.

Stainless steel A2-70, bright.

**Sample order:**

K0396.12100

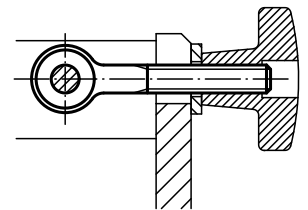
**Note:**

Suitable hinge pin, see B0430.

**Drawing reference:**

U = max. 2 P (incomplete thread)

X1 = to DIN 76 part 1



### KIPP Eye bolts DIN 444

Order No. steel black oxidised	Order No. stainless steel A2 bright	B	D1	D2	D3	L	R	S
K0396.0550	K0396.10550	16	M5	5	12	50	2,5	6
K0396.0575	-	16	M5	5	12	75	2,5	6
K0396.0650	K0396.10650	18	M6	6	14	50	4	7
K0396.0675	K0396.10675	18	M6	6	14	75	4	7
K0396.0850	K0396.10850	22	M8	8	18	50	4	9
K0396.0875	K0396.10875	22	M8	8	18	75	4	9
K0396.1075	K0396.11075	26	M10	10	20	75	4	12
K0396.10100	K0396.110100	26	M10	10	20	100	4	12
K0396.1275	K0396.11275	30	M12	12	25	75	6	14
K0396.12100	K0396.112100	30	M12	12	25	100	6	14
K0396.12120	K0396.112120	30	M12	12	25	120	6	14
K0396.12130	K0396.112130	36	M12	12	25	130	6	14
K0396.1475	K0396.11475	36	M14	14	28	75	6	16
K0396.14130	K0396.114130	36	M14	14	28	130	6	16
K0396.16130	K0396.116130	44	M16	16	32	130	6	17
K0396.20140	K0396.120140	52	M20	18	40	140	6	22