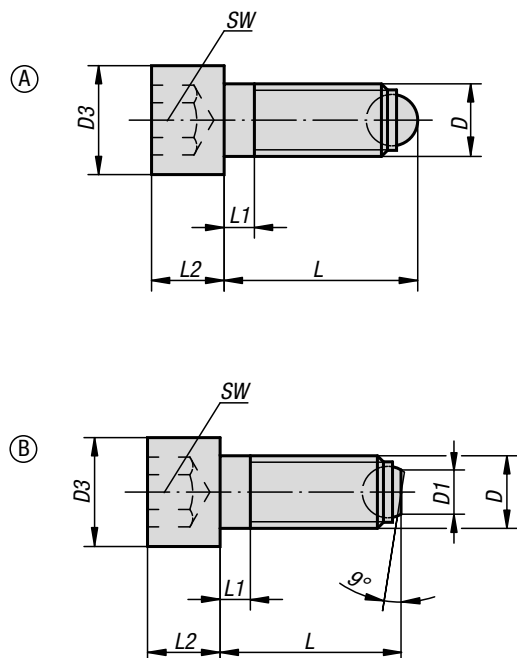


Ball-end thrust screws with head

stainless steel



Material:
Stainless steel

Version:
Bright.

Sample order:
K0381.11230

Note:
Form A with full ball is used when a clean, polished contact surface is required. Surfaces which are not flat and parallel can be firmly clamped or supported with Form B with flattened ball, the movable ball can adapt itself up to 9°.

Drawing reference:
Form A: with full ball
Form B: with flattened ball

KIPP Ball-end thrust screws with head, stainless steel

Order No. Form A	Order No. Form B	D	D1	D3	L	L1	L2	Ball-Ø	SW
K0381.10410	K0381.20410	M4	-1,4	7	9,9/9,7	2,1	4	2,5	3
K0381.10416	K0381.20416	M4	-1,4	7	15,9/15,7	2,1	4	2,5	3
K0381.10420	K0381.20420	M4	-1,4	7	19,9/19,7	2,1	4	2,5	3
K0381.10512	K0381.20512	M5	-2	8,5	12,1/11,7	2,4	5	3	4
K0381.10516	K0381.20516	M5	-2	8,5	16,1/15,7	2,4	5	3	4
K0381.10520	K0381.20520	M5	-2	8,5	20,1/19,7	2,4	5	3	4
K0381.10620	K0381.20620	M6	-3,2	10	20,8/20	3	6	4	5
K0381.10630	K0381.20630	M6	-3,2	10	30,8/30	3	6	4	5
K0381.10640	K0381.20640	M6	-3,2	10	40,8/40	16	6	4	5
K0381.10820	K0381.20820	M8	-4,5	13	21,2/20	3,5	8	5,5	6
K0381.10835	K0381.20835	M8	-4,5	13	36,2/35	3,5	8	5,5	6
K0381.10850	K0381.20850	M8	-4,5	13	51,2/50	22	8	5,5	6
K0381.11025	K0381.21025	M10	-6	16	26,7/25	4,5	10	7	8
K0381.11040	K0381.21040	M10	-6	16	41,7/40	4,5	10	7	8
K0381.11060	K0381.21060	M10	-6	16	61,7/60	28	10	7	8
K0381.11230	K0381.21230	M12	-7,2	18	32/30	5	12	8,5	10
K0381.11250	K0381.21250	M12	-7,2	18	52/50	5	12	8,5	10
K0381.11280	K0381.21280	M12	-7,2	18	82/80	44	12	8,5	10
K0381.11640	K0381.21640	M16	-10,7	24	43,3/40	6	16	12	14
K0381.11660	K0381.21660	M16	-10,7	24	63,3/60	6	16	12	14
K0381.11680	K0381.21680	M16	-10,7	24	83,3/80	36	16	12	14