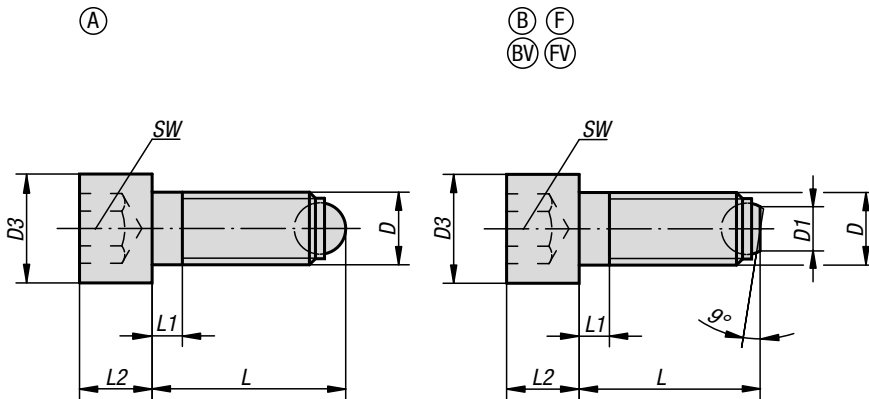


Ball-end thrust screws with head



Drawing reference:

- Form A: full ball
- Form B: flattened ball
- Form BV: flattened ball, rotation lock
- Form F: serrated flattened ball
- Form FV: serrated flattened ball, rotation lock

Material:

Screw carbon steel.
Ball ball-bearing steel.

Version:

Screw grade min. 10.9, black.
Ball hardened, bright.

Sample order:

K0380.10820

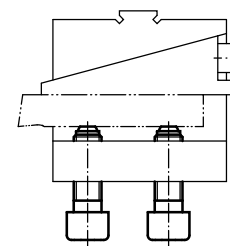
Note:

Form A with full ball is used when a clean, polished contact surface is required. Surfaces which are not flat and parallel can be firmly clamped or supported with Form B with flattened ball, the movable ball can adapt itself up to 9°.

KIPP Ball-end thrust screws with head

Order No.	Form	D	D3	L	L1	L2	Ball-Ø	SW	Load rating max. kN (static load only)
K0380.10410	A	M4	7	9,9	2,1	4	2,5	3	3,5
K0380.10416	A	M4	7	15,9	2,1	4	2,5	3	3,5
K0380.10420	A	M4	7	19,9	2,1	4	2,5	3	3,5
K0380.10512	A	M5	8,5	12,1	2,4	5	3	4	4,5
K0380.10516	A	M5	8,5	16,1	2,4	5	3	4	4,5
K0380.10520	A	M5	8,5	20,1	2,4	5	3	4	4,5
K0380.10620	A	M6	10	20,8	3	6	4	5	9
K0380.10630	A	M6	10	30,8	3	6	4	5	9
K0380.10640	A	M6	10	40,8	16	6	4	5	9
K0380.10820	A	M8	13	21,2	3,5	8	5,5	6	15
K0380.10835	A	M8	13	36,2	3,5	8	5,5	6	15
K0380.10850	A	M8	13	51,2	22	8	5,5	6	15
K0380.11025	A	M10	16	26,7	4,5	10	7	8	20
K0380.11040	A	M10	16	41,7	4,5	10	7	8	20
K0380.11060	A	M10	16	61,7	28	10	7	8	20
K0380.11230	A	M12	18	32	5	12	8,5	10	30
K0380.11250	A	M12	18	52	5	12	8,5	10	30
K0380.11280	A	M12	18	82	44	12	8,5	10	30
K0380.11640	A	M16	24	43,3	6	16	12	14	60
K0380.11660	A	M16	24	63,3	6	16	12	14	60
K0380.11680	A	M16	24	83,3	36	16	12	14	60
K0380.120100	A	M20	30	104,2	48	20	15	17	90
K0380.12050	A	M20	30	54,2	7,5	20	15	17	90
K0380.12080	A	M20	30	84,2	28	20	15	17	90
K0380.124120	A	M24	36	124,7	60	24	18	19	120
K0380.12460	A	M24	36	64,7	9	24	18	19	120
K0380.12490	A	M24	36	94,7	30	24	18	19	120

Ball-end thrust screws with head



Order No. Form B	Order No. Form F	D	D1	D3	L	L1	L2	Ball-Ø	SW	Load rating max. kN (static load only)
K0380.20410	-	M4	1,4	7	11,7	2,1	4	2,5	3	3,5
K0380.20416	-	M4	1,4	7	15,7	2,1	4	2,5	3	3,5
K0380.20420	-	M4	1,4	7	19,7	2,1	4	2,5	3	3,5
K0380.20512	-	M5	2	8,5	11,7	2,4	5	3	4	4,5
K0380.20516	-	M5	2	8,5	15,7	2,4	5	3	4	4,5
K0380.20520	-	M5	2	8,5	19,7	2,4	5	3	4	4,5
K0380.20620	-	M6	3,2	10	20	3	6	4	5	9
K0380.20630	-	M6	3,2	10	30	3	6	4	5	9
K0380.20640	-	M6	3,2	10	40	16	6	4	5	9
K0380.20820	-	M8	4,5	13	20	3,5	8	5,5	6	15
K0380.20835	-	M8	4,5	13	35	3,5	8	5,5	6	15
K0380.20850	-	M8	4,5	13	50	22	8	5,5	6	15
K0380.21025	K0380.31025	M10	6	16	25	4,5	10	7	8	20
K0380.21040	K0380.31040	M10	6	16	40	4,5	10	7	8	20
K0380.21060	K0380.31060	M10	6	16	60	28	10	7	8	20
K0380.21230	K0380.31230	M12	7,2	18	30	5	12	8,5	10	30
K0380.21250	K0380.31250	M12	7,2	18	50	5	12	8,5	10	30
K0380.21280	K0380.31280	M12	7,2	18	80	44	12	8,5	10	30
K0380.21640	K0380.31640	M16	10,7	24	40	6	16	12	14	60
K0380.21660	K0380.31660	M16	10,7	24	60	6	16	12	14	60
K0380.21680	K0380.31680	M16	10,7	24	80	36	16	12	14	60
K0380.220100	-	M20	13,5	30	100	48	20	15	17	90
K0380.22050	-	M20	13,5	30	50	7,5	20	15	17	90
K0380.22080	-	M20	13,5	30	80	28	20	15	17	90
K0380.224120	-	M24	15,8	36	120	60	24	18	19	120
K0380.22460	-	M24	15,8	36	60	9	24	18	19	120
K0380.22490	-	M24	15,8	36	90	30	24	18	19	120

Order No. Form BV	Order No. Form FV	D	D1	D3	L	L1	L2	Ball-Ø	SW	Load rating max. kN (static load only)
K0380.40820	-	M8	4,5	13	20	3,5	8	5,5	6	9
K0380.40835	-	M8	4,5	13	35	3,5	8	5,5	6	9
K0380.40850	-	M8	4,5	13	50	22	8	5,5	6	9
K0380.41025	K0380.51025	M10	6	16	25	4,5	10	7	8	12
K0380.41040	K0380.51040	M10	6	16	40	4,5	10	7	8	12
K0380.41060	K0380.51060	M10	6	16	60	28	10	7	8	12
K0380.41230	K0380.51230	M12	7,2	18	30	5	12	8,5	10	18
K0380.41250	K0380.51250	M12	7,2	18	50	5	12	8,5	10	18
K0380.41280	K0380.51280	M12	7,2	18	80	44	12	8,5	10	18
K0380.41640	K0380.51640	M16	10,7	24	40	6	16	12	14	36
K0380.41660	K0380.51660	M16	10,7	24	60	6	16	12	14	36
K0380.41680	K0380.51680	M16	10,7	24	80	36	16	12	14	36