

Clamp hubs

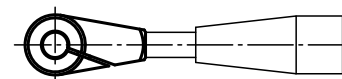
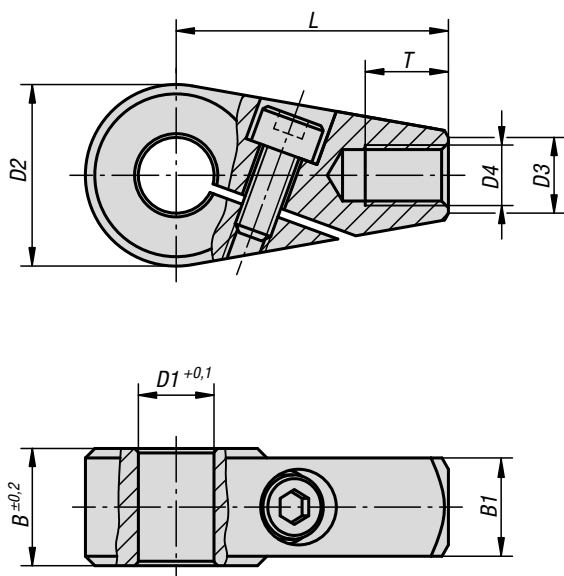


Material:
Carbon steel 1.1206.

Version:
Black oxidised.

Sample order:
K0376.1012

Note:
Clamp hubs can be quickly and easily attached to shafts, adjusted in the proper operating position and then locked. For secure transmission of torque, shaft tolerance should not exceed h11.
At fastening thread (D2), handles can be screwed on.



KIPP Clamp hubs

Order No.	D1	D2	D3	D4	B	B1	L	T
K0376.0810	10	24	10	M8	15,5	13	36	11
K0376.0812	12	24	10	M8	15,5	13	36	11
K0376.1012	12	28	12	M10	17,5	15	41	14
K0376.1014	14	28	12	M10	17,5	15	41	14
K0376.1214	14	32	14	M12	19,5	17	45	16
K0376.1216	16	32	14	M12	19,5	17	45	16