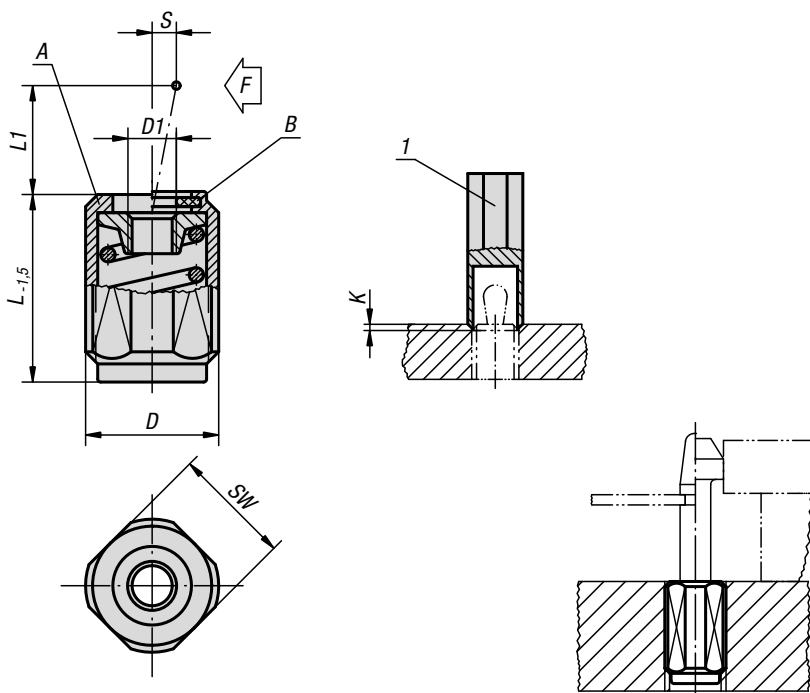


## Lateral spring plungers

with threaded sleeve, without thrust pin



**Material:**  
Steel.

**Version:**  
Sleeve blue electro zinc-plated.  
Washer, hardened and burnished.

**Sample order:**  
K0372.1100X20

**Note:**  
The thrust pin can be made to suit the required circumstances and screwed into the tapped hole in the locating washer.  
The required lateral thrust (F) can be achieved through the stroke (S) and length (L1).  
Form B has a seal to keep swarf and dirt out.

**Drawing reference:**  
Form A: without seal  
Form B: with seal

1) assembly tool

### KIPP Lateral spring plungers with threaded sleeve, without thrust pin

Order No. Form A	Order No. Form B	L	L1	D	D1	±S	F ca.N	SW	K	Order No. assembly tool
K0372.1020X12	K0372.2020X12	11,5	4	M12	M4	1,6	20	10	2x60°	K0371.06
K0372.1020X20	K0372.2020X20	19	4	M12	M4	1,6	20	10	2x60°	K0371.06
K0372.1020X27	K0372.2020X27	26,5	4	M12	M4	1,6	20	10	2x60°	K0371.06
K0372.1040X12	K0372.2040X12	11,5	7,5	M12	M4	2	40	10	2x60°	K0371.06
K0372.1040X20	K0372.2040X20	19	7,5	M12	M4	2	40	10	2x60°	K0371.06
K0372.1040X27	K0372.2040X27	26,5	7,5	M12	M4	2	40	10	2x60°	K0371.06
K0372.1050X12	K0372.2050X12	11,5	4	M12	M4	1,6	50	10	2x60°	K0371.06
K0372.1050X20	K0372.2050X20	19	4	M12	M4	1,6	50	10	2x60°	K0371.06
K0372.1050X27	K0372.2050X27	26,5	4	M12	M4	1,6	50	10	2x60°	K0371.06
K0372.1075X12	K0372.2075X12	11,5	7,5	M12	M4	2	75	10	2x60°	K0371.06
K0372.1075X20	K0372.2075X20	19	7,5	M12	M4	2	75	10	2x60°	K0371.06
K0372.1075X27	K0372.2075X27	26,5	7,5	M12	M4	2	75	10	2x60°	K0371.06
K0372.1100X12	K0372.2100X12	11,5	4	M12	M4	1,6	100	10	2x60°	K0371.06
K0372.1100X20	K0372.2100X20	19	4	M12	M4	1,6	100	10	2x60°	K0371.06
K0372.1100X27	K0372.2100X27	26,5	4	M12	M4	1,6	100	10	2x60°	K0371.06
K0372.1150X12	K0372.2150X12	11,5	7,5	M12	M4	2	100	10	2x60°	K0371.06
K0372.1150X20	K0372.2150X20	19	7,5	M12	M4	2	100	10	2x60°	K0371.06
K0372.1150X27	K0372.2150X27	26,5	7,5	M12	M4	2	100	10	2x60°	K0371.06
K0372.1100X16	K0372.2100X16	18	11,5	M18X1,5	M6	3,2	100	16	2,5x60°	K0371.10
K0372.1100X29	K0372.2100X29	31,5	11,5	M18X1,5	M6	3,2	100	16	2,5x60°	K0371.10
K0372.1100X43	K0372.2100X43	45	11,5	M18X1,5	M6	3,2	100	16	2,5x60°	K0371.10
K0372.1200X16	K0372.2200X16	18	11,5	M18X1,5	M6	3,2	150	16	2,5x60°	K0371.10
K0372.1200X29	K0372.2200X29	31,5	11,5	M18X1,5	M6	3,2	150	16	2,5x60°	K0371.10
K0372.1200X43	K0372.2200X43	45	11,5	M18X1,5	M6	3,2	150	16	2,5x60°	K0371.10
K0372.1300X16	K0372.2300X16	18	11,5	M18X1,5	M6	3,2	200	16	2,5x60°	K0371.10
K0372.1300X29	K0372.2300X29	31,5	11,5	M18X1,5	M6	3,2	200	16	2,5x60°	K0371.10
K0372.1300X43	K0372.2300X43	45	11,5	M18X1,5	M6	3,2	200	16	2,5x60°	K0371.10