

Eccentric bushes and assembly tools

for lateral spring plungers



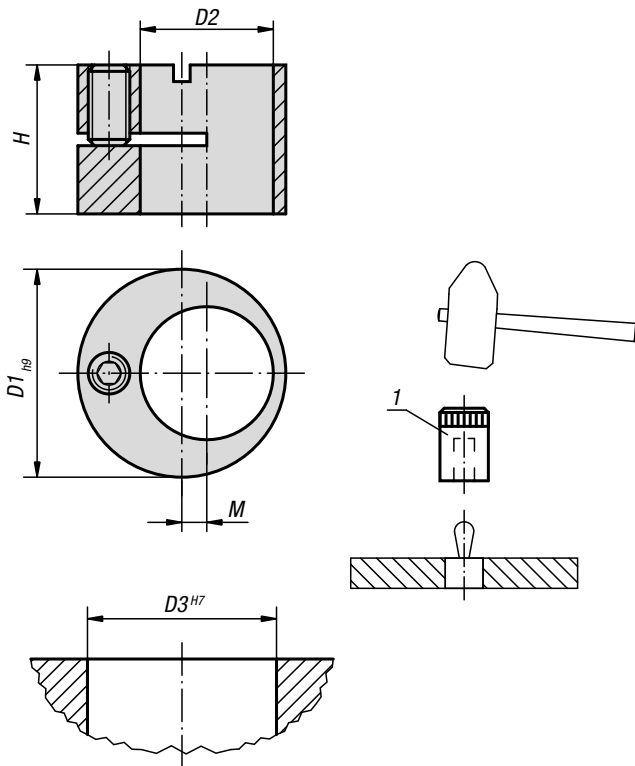
Material:
Steel.

Version:
Black oxidised.

Sample order:
K0369.180

Note:
Eccentric bushes enable lateral spring plungers to be precisely positioned with regard to the workpiece.

Drawing reference:
1) assembly tool



KIPP Assembly tools

Order No.	Suitable for lateral spring plungers with D =
K0369.03	6
K0369.05	10
K0369.08	12
K0369.10	16

KIPP Eccentric bushes for lateral spring plungers

Order No.	D1	D2	D3	H	M	Suitable for lateral spring plungers with D =
K0369.120	12	6	12	9,9	2	6
K0369.160	16	10	16	11,9	2	10
K0369.180	18	12	18	13,9	2	12
K0369.250	25	16	25	17,9	3	16

