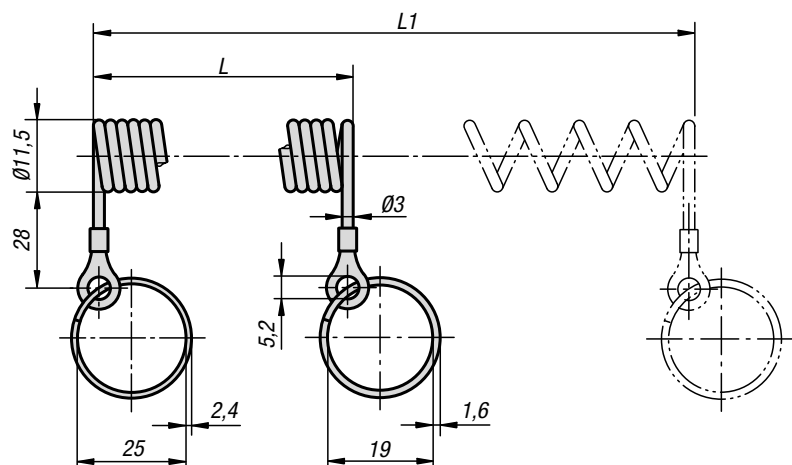


## Safety spiral cables



**Material:**  
Spiral cable PUR.  
Eye copper or stainless steel.  
Key ring steel or stainless steel.

**Version:**  
Spiral cable black.  
Eye, zinc-plated copper or bright stainless steel.  
Key ring, chromed steel or bright stainless steel.

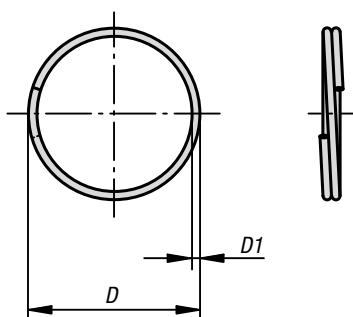
**Sample order:**  
K0367.10200

**Note:**  
Elastic spiral cable to secure equipment parts. Very good reset force, robust and wear-resistant.

### KIPP Safety spiral cable

Order No.	Key Rings	L	L1
K0367.10100	steel	100	500
K0367.10200	steel	200	1000
K0367.20100	stainless steel	100	500
K0367.20200	stainless steel	200	1000

## Key rings



**Material:**  
Stainless steel 1.4310.

**Version:**  
Bright.

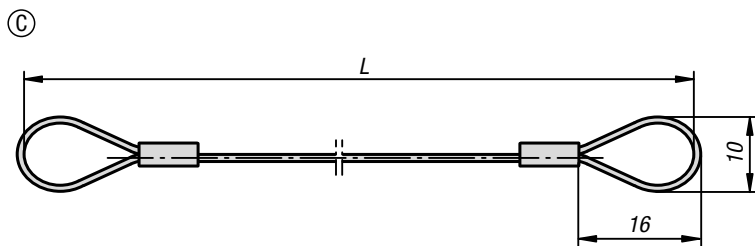
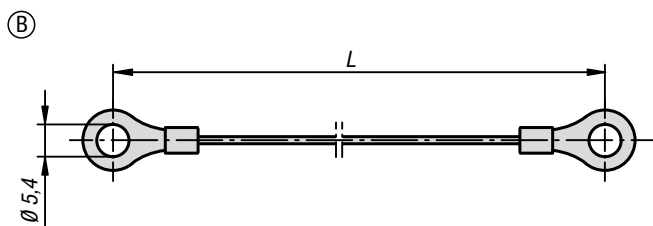
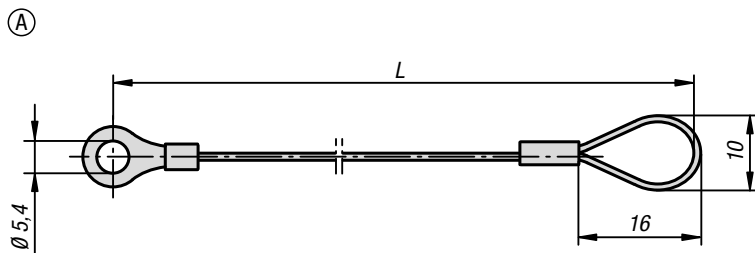
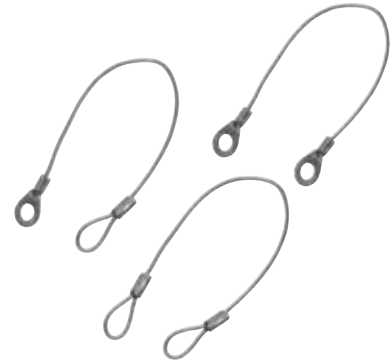
**Sample order:**  
K0367.23

**Note:**  
Suitable for retaining cable with loop K0367.  
Ball lock pins K0363, K0364, K0641, K0366, K0642, K0790, K0791.  
Locking pins K0365.  
Indexing plungers K0342, K0635, K0636.

### KIPP Key rings

Order No.	D	D1
K0367.15	15	1.0
K0367.19	19	1.0
K0367.23	23	1.2
K0367.28	28	1.7

## Retaining cables



**Material:**

Cable stainless steel.  
Crimp and end terminal aluminium.

**Version:**

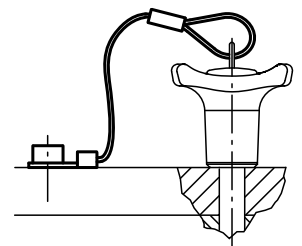
Cable plastic coated.

**Sample order:**

K0367.0200

**Note:**

With the retaining cable and key ring (K0367) the ball lock pins (K0363, K0364, K0641, K0366, K0642, K0790, K0791) can be secured so that they cannot be lost. An M5 screw is used to secure the retaining cable. Application temperature: +80 °C.



### KIPP Retaining cables

Order No.	Form	L
K0367.0150	A	150
K0367.0200	A	200
K0367.0300	A	300
K0367.0500	A	500
K0367.1150	B	150
K0367.1200	B	200
K0367.1300	B	300
K0367.1500	B	500
K0367.2150	C	150
K0367.2200	C	200
K0367.2300	C	300
K0367.2500	C	500