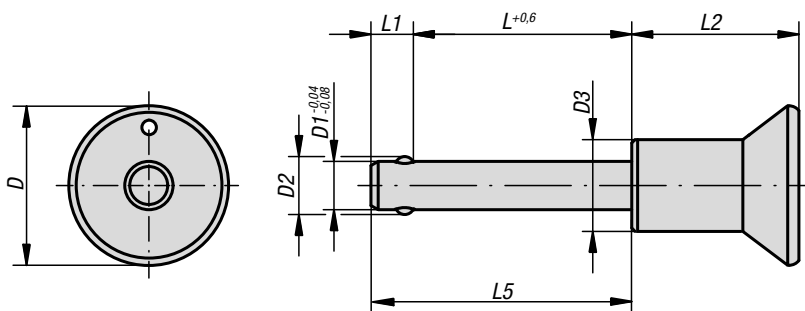


Ball lock pins

stainless steel



Material:

Metal parts stainless steel.

Version:

Bright.

Sample order:

K0364.3110030

(include length L e.g. 030 for L = 30 mm)

Note:

Ball lock pins are used for easy fastening or joining of components or workpieces.

The two balls are disengaged by pressing the push button and the pin can be slipped into holes in the workpieces. Release the button to lock the balls and secure the connection.

Corrosion resistant. Option for connecting retaining cable.

Shear force double shear (F) = S · τ aB max.

The values given for the shear force are the theoretical breaking load.

These are non-binding reference values without consideration of safety factors and exclude any liability. The values given are for information purposes only and do not constitute a legally binding assurance of properties.

The load values have been calculated in accordance with DIN 50141. Each user must determine individually whether the ball lock pin is suitable for the respective application.

Different materials in which the ball lock pins are used, weather conditions and wear can influence the determined values.

Accessories:

Bushes for ball lock pins K0724

Safety spiral cable K0367

Retaining cable with loop K0367

Key ring K0367

KIPP Ball lock pins, stainless steel

Order No.	D	D1	D2	D3	L	L1	L2	L5	Receiving hole H11	Shearing force double shear max.kN
K0364.2305***	25	5	5,5	14	10/15/20/25/30	6	26,5	16/21/26/31/36	5	15
K0364.2306***	25	6	6,85	14	10/15/20/25/30/35/40/45/50	7	26,5	17/22/27/32/37/42/47/52/57	6	22
K0364.2308***	25	8	9,5	14	20/25/30/35/40/45/50	8	26,5	28/33/38/43/48/53/58	8	38
K0364.3110***	33	10	12	19	20/25/30/35/40/45/50/60	9	34,6	29/34/39/44/49/54/59/69	10	60
K0364.3112***	33	12	14,5	19	25/30/35/40/45/50/60/70/80	10	34,6	35/40/45/50/55/60/70/80/90	12	86
K0364.3116***	33	16	19	20	30/35/40/45/50/60/70/80	13,3	34,6	43,3/48,3/53,3/58,3/63,3/73,3/83,3/93,3	16	153