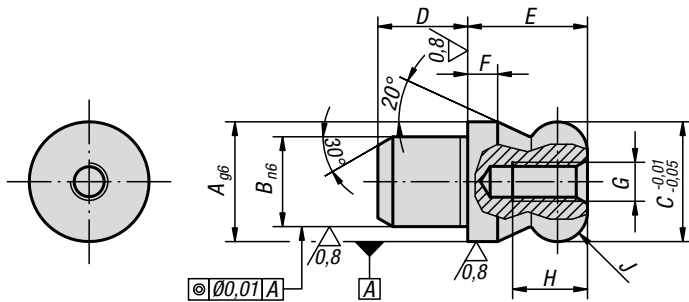


Locating pins

with ball-end Form B



Material:

Tool steel or 1.4305 stainless steel.

Version:

Steel hardened and ground.

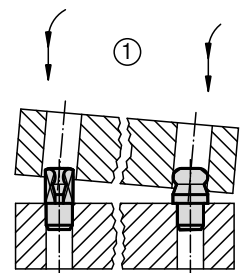
Stainless steel ground and kolsterised.

Sample order:

K0351.20

Note:

Ball end locating pins are specially designed to ease the locating process. The tendency to jam, caused by the locating hole not being at right angles to the pin or by the pushing force not being parallel to the pin axis, is minimized by the ball-end form (see illustration).

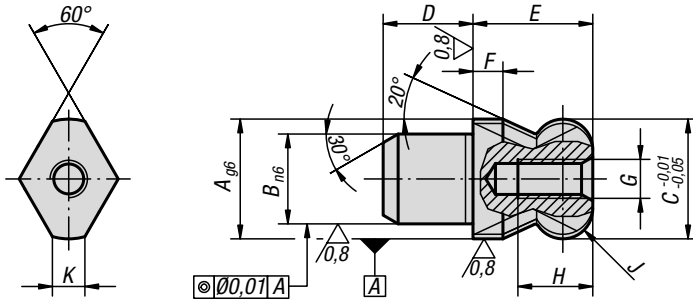


KIPP Locating pins with ball-end Form B

Order No. tool steel	Order No. stainless steel	A	B	C	D	E	F	G	H	J
K0351.06	K0351.506	6	4	6	4	6	2	M2,5	4,5	R 1
K0351.08	K0351.508	8	6	8	6	8	2	M3	6	R 2
K0351.10	K0351.510	10	7	10	7	10	2,5	M3	6	R 2,5
K0351.12	K0351.512	12	8	12	8	12	3	M4	8	R 3
K0351.14	K0351.514	14	10	14	10	14	3,5	M4	8	R 3,5
K0351.16	K0351.516	16	12	16	12	16	4	M5	10	R 4
K0351.20	K0351.520	20	14	20	14	20	5	M5	10	R 5
K0351.22	-	22	16	22	16	22	5,5	M5	10	R 5,5
K0351.25	-	25	18	25	18	25	6	M5	10	R 6

Locating pins

with flattened ball-end Form D



Material:

Tool steel or 1.4305 stainless steel.

Version:

Steel hardened and ground.

Stainless steel ground and kolsterised.

Sample order:

K0351.162

Note:

Ball end locating pins are specially designed to ease the locating process. The tendency to jam, caused by the locating hole not being at right angles to the pin or by the pushing force not being parallel to the pin axis, is minimized by the ball-end form (see illustration 1 for K0351 Form B)

KIPP Locating pins with flattened ball-end Form D

Order No. tool steel	Order No. stainless steel	A	B	C	D	E	F	G	H	J	K
K0351.062	K0351.5062	6	4	6	4	6	2	M2,5	4,5	R 1	1,7
K0351.082	K0351.5082	8	6	8	6	8	2	M3	6	R 2	2
K0351.102	K0351.5102	10	7	10	7	10	2,5	M3	6	R 2,5	2,5
K0351.122	K0351.5122	12	8	12	8	12	3	M4	8	R 3	2,5
K0351.142	K0351.5142	14	10	14	10	14	3,5	M4	8	R 3,5	3,76
K0351.162	K0351.5162	16	12	16	12	16	4	M5	10	R 4	4,3
K0351.202	K0351.5202	20	14	20	14	20	5	M5	10	R 5	5
K0351.222	-	22	16	22	16	22	5,5	M5	10	R 5,5	5
K0351.252	-	25	18	25	18	25	6	M5	10	R 6	5,6