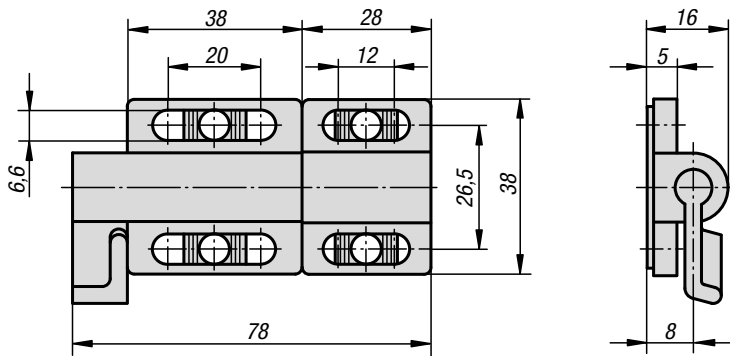
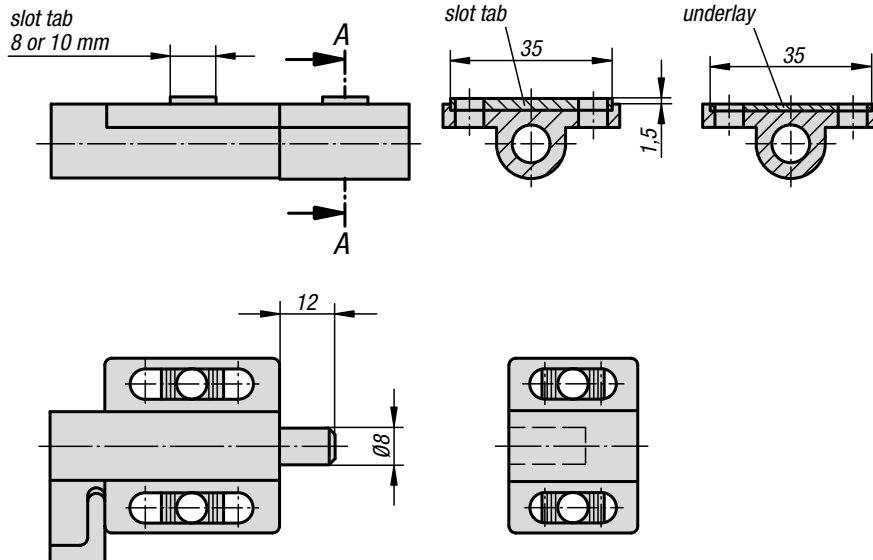


Barrel slide bolts



A-A

A-A



Material:

Housing die-cast zinc.
Grip, underlay and slot tabs thermoplastic PA.
Bolt stainless steel.

Version:

Housing painted silver.
Grip, underlay and slot tabs black.
Bolt bright.

Sample order:

K0349.38038028

Note:

Spring loaded bolt.
Supplied with:
- 2 underlays for mounting on level surfaces.
- 2 of each tabs for mounting on profiles with 8 or 10 mm slots.



KIPP Barrel slide bolts

Order No.	Spring force initial pressure F1 approx. N	Spring force final pressure F2 approx. N
K0349.38038028	5	15