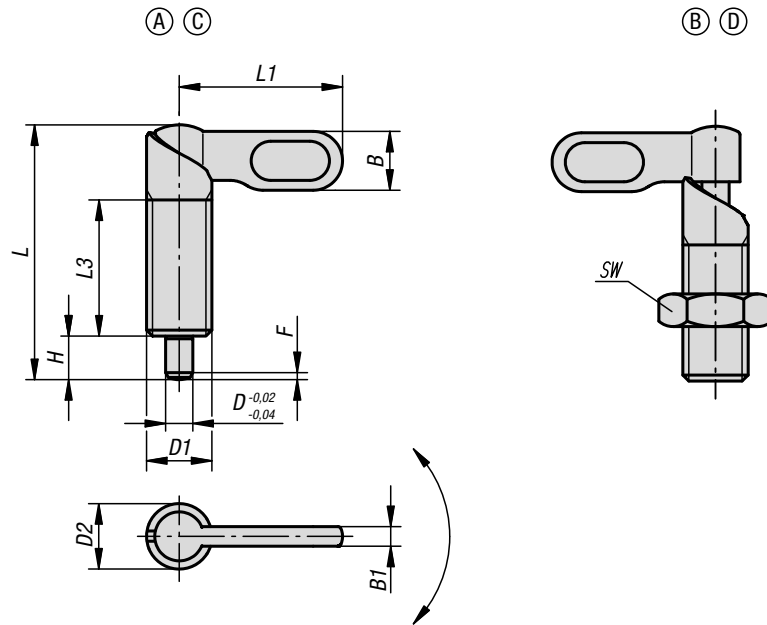


Cam-action indexing plungers



Material:
Steel grade 5.8.

Version:
Black oxidised.
Pin hardened and ground.

Sample order:
K0348.040616

Note:
Cam-action indexing plungers are used when the indexing pin should not project all the time. Turning the handle through 180° retracts the pin and a notch ensures that the handle remains in this position.

Drawing reference:
Form A: grip uncoated without nut
Form C: grip powder-coated without nut
Form B: grip uncoated with nut
Form D: grip powder-coated with nut

KIPP Cam-action indexing plungers

Order No. Form A	Order No. Form C	Order No. Form B	Order No. Form D	D	D1	D2	L	L1	L3	B	B1	H	SW	Fx30°	Spring force initial pressure F1 approx. N	Spring force final pressure F2 approx. N
K0348.040410	K0348.060410	K0348.050410	K0348.070410	4	M10	10	38	25	20	9	3	6	-/-/17/17	1	8	14
K0348.040510	K0348.060510	K0348.050510	K0348.070510	5	M10	10	38	25	20	9	3	6	-/-/17/17	1,3	8	14
K0348.040610	K0348.060610	K0348.050610	K0348.070610	6	M10	10	38	25	20	9	3	6	-/-/17/17	1,8	8	14
K0348.0404101	K0348.0604101	K0348.0504101	K0348.0704101	4	M10x1	10	38	25	20	9	3	6	-/-/17/17	1	8	14
K0348.0405101	K0348.0605101	K0348.0505101	K0348.0705101	5	M10x1	10	38	25	20	9	3	6	-/-/17/17	1,3	8	14
K0348.0406101	K0348.0606101	K0348.0506101	K0348.0706101	6	M10x1	10	38	25	20	9	3	6	-/-/17/17	1,8	8	14
K0348.040512	K0348.060512	K0348.050512	K0348.070512	5	M12	12	46,8	30	25	10,8	3,6	8	-/-/19/19	1,3	8	15
K0348.040612	K0348.060612	K0348.050612	K0348.070612	6	M12	12	46,8	30	25	10,8	3,6	8	-/-/19/19	1,8	8	15
K0348.040812	K0348.060812	K0348.050812	K0348.070812	8	M12	12	46,8	30	25	10,8	3,6	8	-/-/19/19	2,3	8	15
K0348.0405121	K0348.0605121	K0348.0505121	K0348.0705121	5	M12x1,5	12	46,8	30	25	10,8	3,6	8	-/-/19/19	1,3	8	15
K0348.0406121	K0348.0606121	K0348.0506121	K0348.0706121	6	M12x1,5	12	46,8	30	25	10,8	3,6	8	-/-/19/19	1,8	8	15
K0348.0408121	K0348.0608121	K0348.0508121	K0348.0708121	8	M12x1,5	12	46,8	30	25	10,8	3,6	8	-/-/19/19	2,3	8	15
K0348.040616	K0348.060616	K0348.050616	K0348.070616	6	M16	16	60,4	40	32	14,4	4,8	10	-/-/24/24	1,8	15	35
K0348.040816	K0348.060816	K0348.050816	K0348.070816	8	M16	16	60,4	40	32	14,4	4,8	10	-/-/24/24	2,3	15	35
K0348.041016	K0348.061016	K0348.051016	K0348.071016	10	M16	16	60,4	40	32	14,4	4,8	10	-/-/24/24	2,8	15	35
K0348.0406161	K0348.0606161	K0348.0506161	K0348.0706161	6	M16x1,5	16	60,4	40	32	14,4	4,8	10	-/-/24/24	1,8	15	35
K0348.0408161	K0348.0608161	K0348.0508161	K0348.0708161	8	M16x1,5	16	60,4	40	32	14,4	4,8	10	-/-/24/24	2,3	15	35
K0348.0410161	K0348.0610161	K0348.0510161	K0348.0710161	10	M16x1,5	16	60,4	40	32	14,4	4,8	10	-/-/24/24	2,8	15	35
K0348.040820	K0348.060820	K0348.050820	K0348.070820	8	M20	20	70	50	35	18	6	12	-/-/30/30	2,3	20	60
K0348.041020	K0348.061020	K0348.051020	K0348.071020	10	M20	20	70	50	35	18	6	12	-/-/30/30	2,8	20	60
K0348.041220	K0348.061220	K0348.051220	K0348.071220	12	M20	20	70	50	35	18	6	12	-/-/30/30	3	20	60
K0348.0408201	K0348.0608201	K0348.0508201	K0348.0708201	8	M20x1,5	20	70	50	35	18	6	12	-/-/30/30	2,3	20	60
K0348.0410201	K0348.0610201	K0348.0510201	K0348.0710201	10	M20x1,5	20	70	50	35	18	6	12	-/-/30/30	2,8	20	60
K0348.0412201	K0348.0612201	K0348.0512201	K0348.0712201	12	M20x1,5	20	70	50	35	18	6	12	-/-/30/30	3	20	60