

Spring plungers smooth version, double-sided

Item description/product images



Description

Material:

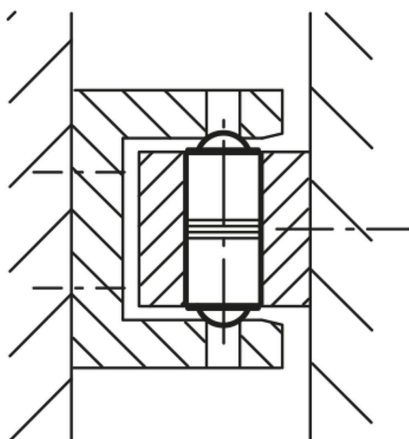
Sleeve brass.
Ball and spring stainless steel.

Version:

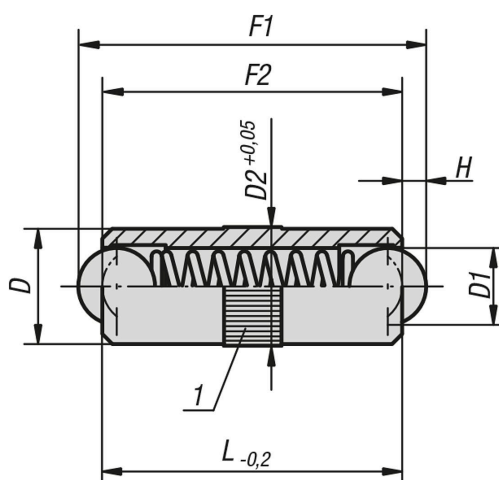
Ball hardened, bright.

Drawing reference:

1) knurl



Drawings



Overview of items

Spring plungers smooth version, double-sided

Order No.	D	D1	D2	L	H=Stroke	Spring force initial pressure F1 approx. N	Spring force final pressure F2 approx. N
K0337.025	2,5	2	2,55	6	0,65	1,5	2,8
K0337.03	3	2,5	3,05	8	0,8	2,5	6
K0337.04	4	3	4,05	10	0,9	3	7
K0337.05	5	4	5,05	12	1,2	4	8

Spring plungers smooth version, double-sided

Overview of items

Order No.	D	D1	D2	L	H=Stroke	Spring force initial pressure F1 approx. N	Spring force final pressure F2 approx. N
K0337.06	6	5	6,05	16	1,6	6	10
K0337.08	8	6	8,05	20	2	8	12
K0337.10	10	8	10,05	24	2,9	10	16