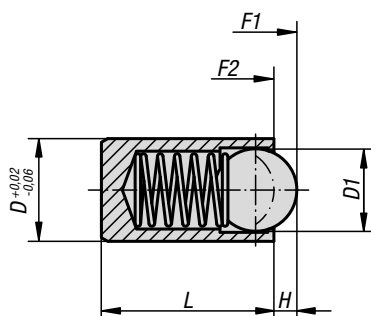


Spring plungers

smooth version without collar, stainless steel



Material:

Sleeve and spring stainless steel.
Ball stainless steel or POM.

Version:

Ball hardened, bright.

Sample order:

K0335.208

KIPP Spring plungers smooth version, without collar, stainless steel

| Order No. | Component material | D | D1 | H | L | Spring force initial pressure F1 approx. N | Spring force final pressure F2 approx. N |
|-----------|--------------------|----|----|------|----|--------------------------------------------|------------------------------------------|
| K0335.203 | stainless steel | 3 | 2 | 0,65 | 7 | 5 | 7 |
| K0335.204 | stainless steel | 4 | 3 | 0,8 | 9 | 12 | 22 |
| K0335.205 | stainless steel | 5 | 4 | 1 | 12 | 19 | 30 |
| K0335.206 | stainless steel | 6 | 5 | 1,5 | 14 | 22 | 40 |
| K0335.208 | stainless steel | 8 | 6 | 1,8 | 16 | 42 | 73 |
| K0335.210 | stainless steel | 10 | 8 | 2,7 | 22 | 54 | 100 |
| K0335.212 | stainless steel | 12 | 10 | 3,2 | 24 | 54 | 122 |
| K0335.304 | POM | 4 | 3 | 0,6 | 9 | 12 | 22 |
| K0335.305 | POM | 5 | 4 | 0,9 | 12 | 19 | 30 |
| K0335.306 | POM | 6 | 5 | 1,3 | 14 | 22 | 40 |
| K0335.308 | POM | 8 | 6 | 1,7 | 16 | 42 | 73 |
| K0335.310 | POM | 10 | 8 | 2,6 | 22 | 54 | 100 |
| K0335.312 | POM | 12 | 10 | 3,1 | 24 | 54 | 122 |