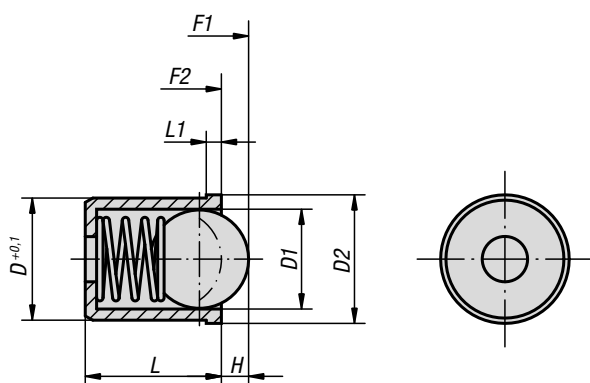


## Spring plungers

smooth version, plastic



**Material:**  
Sleeve thermoplastic.  
Spring stainless steel.  
Ball stainless steel or POM.

**Version:**  
Sleeve black.  
Ball hardened, bright.

**Sample order:**  
K0334.05



### KIPP Spring plungers smooth version, plastic

Order No.	Component material	D	D1	D2	H	L	L1	Spring force initial pressure F1 approx. N	Spring force final pressure F2 approx. N
K0334.04	stainless steel	4	3	4,6	0,7	5	1	3	7
K0334.05	stainless steel	5	4	5,6	1	6	1	4	7
K0334.06	stainless steel	6	5	6,5	1,5	7	1	6	12
K0334.08	stainless steel	8	6,5	8,5	1,8	9	1	6	12
K0334.10	stainless steel	10	8	12	2,7	13,5	2,5	10	20
K0334.12	stainless steel	12	10	14	3,5	16	2,5	15	25
K0334.204	POM	4	3	4,6	0,7	5	1	3	7
K0334.205	POM	5	4	5,6	1	6	1	4	7
K0334.206	POM	6	5	6,5	1,5	7	1	6	12
K0334.208	POM	8	6,5	8,5	1,8	9	1	6	12
K0334.210	POM	10	8	12	2,7	13,5	2,5	10	20
K0334.212	POM	12	10	14	3,5	16	2,5	15	25