

Spring plungers

with hexagon socket and POM thrust pin, stainless steel

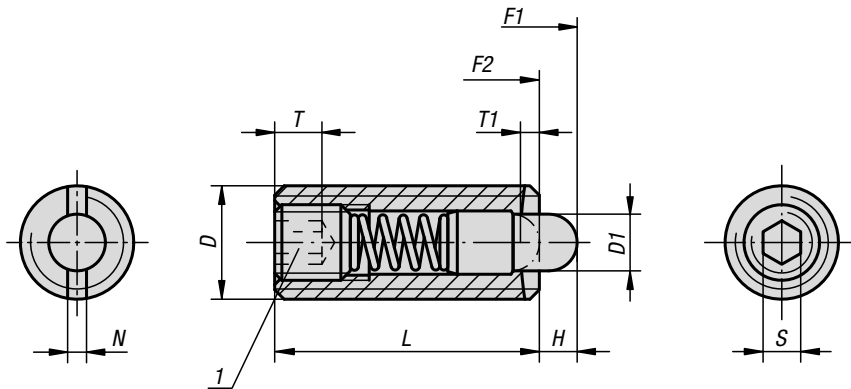


Material:
Sleeve 1.4305.
Thrust pin POM.
Spring 1.4310.

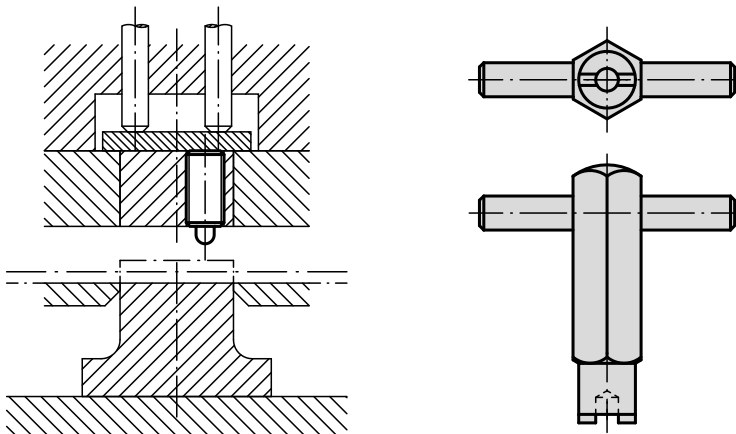
Version:
Bright.

Sample order:
K0320.16

Drawing reference:
1) grub screw glued in



application example



KIPP Spring plungers with hexagon socket and POM thrust pin, stainless steel

| Order No. | D | D1 | H | L | T | T1 | N | S | Spring force initial pressure F1 approx. N | Spring force final pressure F2 approx. N | Order No. Assembly key |
|-----------|-----|-----|-----|----|-----|-----|-----|-----|--|--|---------------------------|
| K0320.03 | M3 | 1 | 1,5 | 10 | 1,5 | 1 | 0,4 | 0,7 | 0,5 | 3 | K0317.903 |
| K0320.04 | M4 | 1,5 | 1,5 | 15 | 2 | 0,6 | 0,6 | 1,3 | 5 | 16 | K0317.904 |
| K0320.05 | M5 | 2,4 | 2,3 | 18 | 2 | 0,8 | 0,8 | 1,5 | 5 | 17 | K0317.905 |
| K0320.06 | M6 | 2,7 | 2,5 | 20 | 2,5 | 1 | 1 | 2 | 6 | 17 | K0317.906 |
| K0320.08 | M8 | 3,5 | 3 | 22 | 3 | 1,4 | 1,2 | 2,5 | 7 | 29 | K0317.908 |
| K0320.10 | M10 | 4 | 3 | 22 | 3,5 | 1,4 | 1,6 | 3 | 8 | 31 | K0317.910 |
| K0320.12 | M12 | 6 | 4 | 28 | 5 | 2 | 2 | 4 | 10 | 47 | K0317.912 |
| K0320.16 | M16 | 7,5 | 5 | 32 | 6 | 2,5 | 2,5 | 5 | 38 | 85 | K0317.916 |