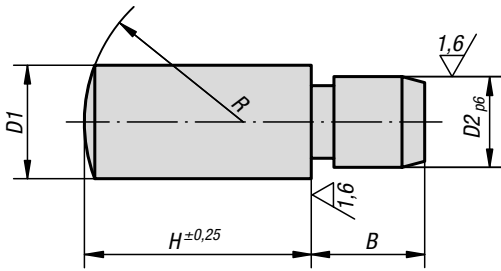


Rest pads



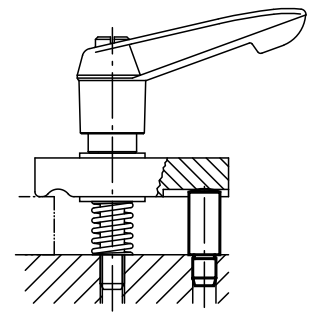
Material:
Steel 1.0301.

Version:
Case-hardened, black oxidised and ground.

Sample order:
K0305.05X8 (include length H)

KIPP Rest pads

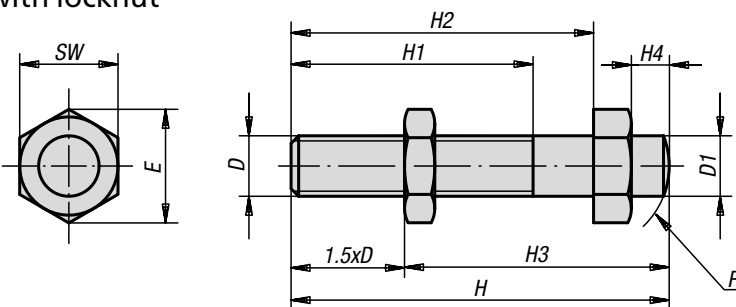
Order No.	H	B	D1	D2	R
K0305.05X	8/10/12/16	5	5	4	7
K0305.06X	10/12/16/20	6	6	5	8
K0305.08X	12/16/20/25	8	8	6	11
K0305.10X	16/20/25/32	10	10	8	14
K0305.12X	20/25/32/40	12	12	10	16
K0305.14X	20/25/32/40	14	14	12	20
K0305.16X	25/32/40/50	16	16	14	25
K0305.20X	25/32/40/50	20	20	16	28



K0306

Rest pads adjustable

with locknut



Material:
Carbon steel 1.1181.

Version:
Surface hardened, black oxidised.

Sample order:
K0306.05

KIPP Rest pads adjustable with locknut

Order No.	D	D1	H	H1	H2	H3 min.	H3 max.	H4	E	SW	R	F ca.N
K0306.05	M5	5	50	32	40	20,5	42,5	5	11,5	10	7	1000
K0306.06	M6	6	50	32	40	21	41	5	11,5	10	8	1430
K0306.08	M8	8	50	32	40	22	38	5	15	13	11	2620
K0306.10	M10	10	52	32	40	25	37	5	19,6	17	14	4180
K0306.101	M10	10	70	32	56	42	55	6	19,6	17	14	4180
K0306.12	M12	12	70	40	56	36	52	6	21,9	19	16	6100
K0306.121	M12	12	95	50	80	51	77	6	21,9	19	16	6100
K0306.14	M14	14	100	63	80	44	79	8	25,4	22	20	8320
K0306.16	M16	16	100	63	80	45	76	8	27,7	24	25	11520
K0306.161	M16	16	120	63	100	65	96	8	27,7	24	25	11520
K0306.20	M20	20	110	70	88	50	90	10	34,6	30	28	18000

